



BULLETIN NO. 121306

DATE: December 13, 2006

TO: All Ultimate Boiler Customers

FROM: Technical Service Department

TITLE: Vent Hood/Termination Change for Sidewall Venting

MODELS AFFECTED

PFO	All sizes
------------	-----------

Effective Immediately

Description of Change

The two-piece air inlet and vent hood termination on sidewall vented PFO series boilers has been changed to a one-piece, concentric termination (see figures 1 & 2). This new “concentric” style vent termination results in easier, more flexible installation, improved performance and increased durability:

- The required number of “Through the wall” exterior openings are reduced from two to one.
- There is zero clearance to combustibles (Concentric Termination Only).
- The Combustion Air Tee can be rotated 180 degrees (see figure 1).
- The concentric termination features 40 mph wind resistance.
- The potential for flue gas recirculation into the air inlet and blocked air inlet conditions (i.e. due to snow), are reduced.
- The new concentric termination features durable 316 stainless steel construction.

Result

As a result of this change, there are now 6 different “concentric” vents available for the PFO series boiler. See chart below for proper vent hood / termination kit:

PFO Boiler	New “Concentric” Termination Kit (Less burner)	New “Concentric” Termination Kit (With Burner)	Combustion Air Pipe Diameter	Vent Pipe Dia.	Wall Opening
3 Section	550001447	550001450 (Beckett AFG)	4”	4”	7”
4-5 Section	550001448	550001451 (Beckett AFG)	4”	6”	9”
6-9 Section	550001448	550001449 (Beckett CF375)	4”	6”	9”

Important Note:

Due to the change in vent hood design, a change to the boiler’s pressure switch is also required. This new pressure switch, part no. 240005625, is a normally closed switch that opens at 0.035 inches of water column. It is included with each termination kit.

(MORE)

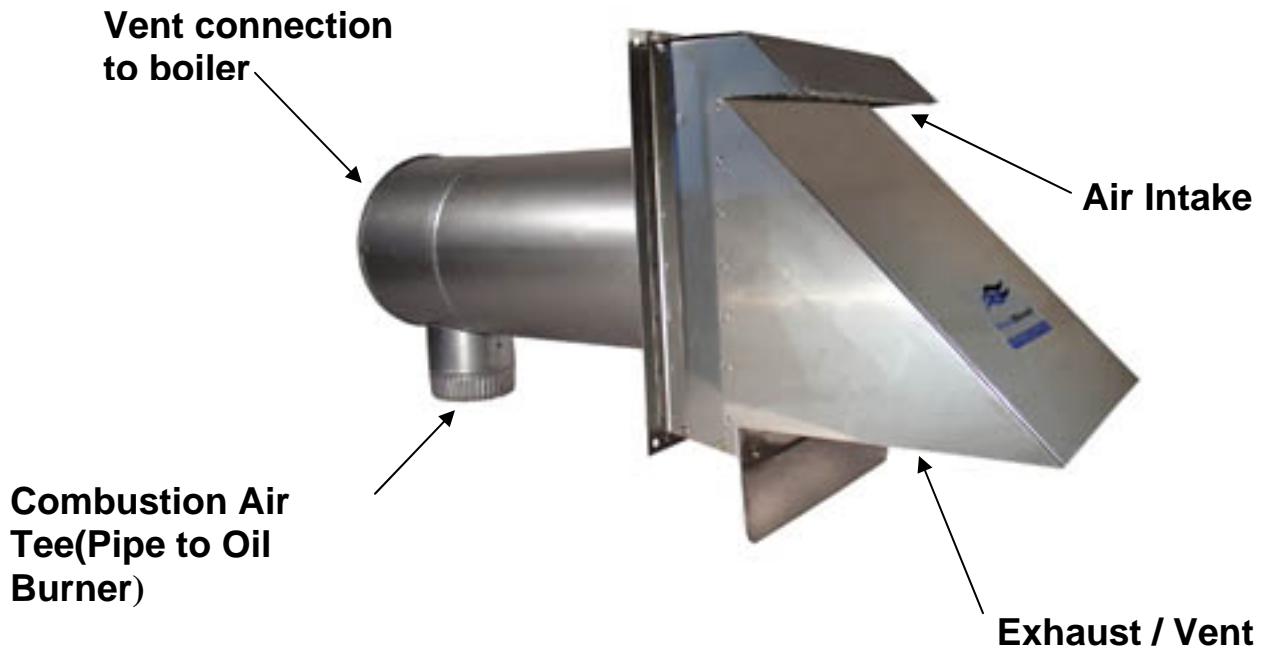


FIGURE 1

(MORE)

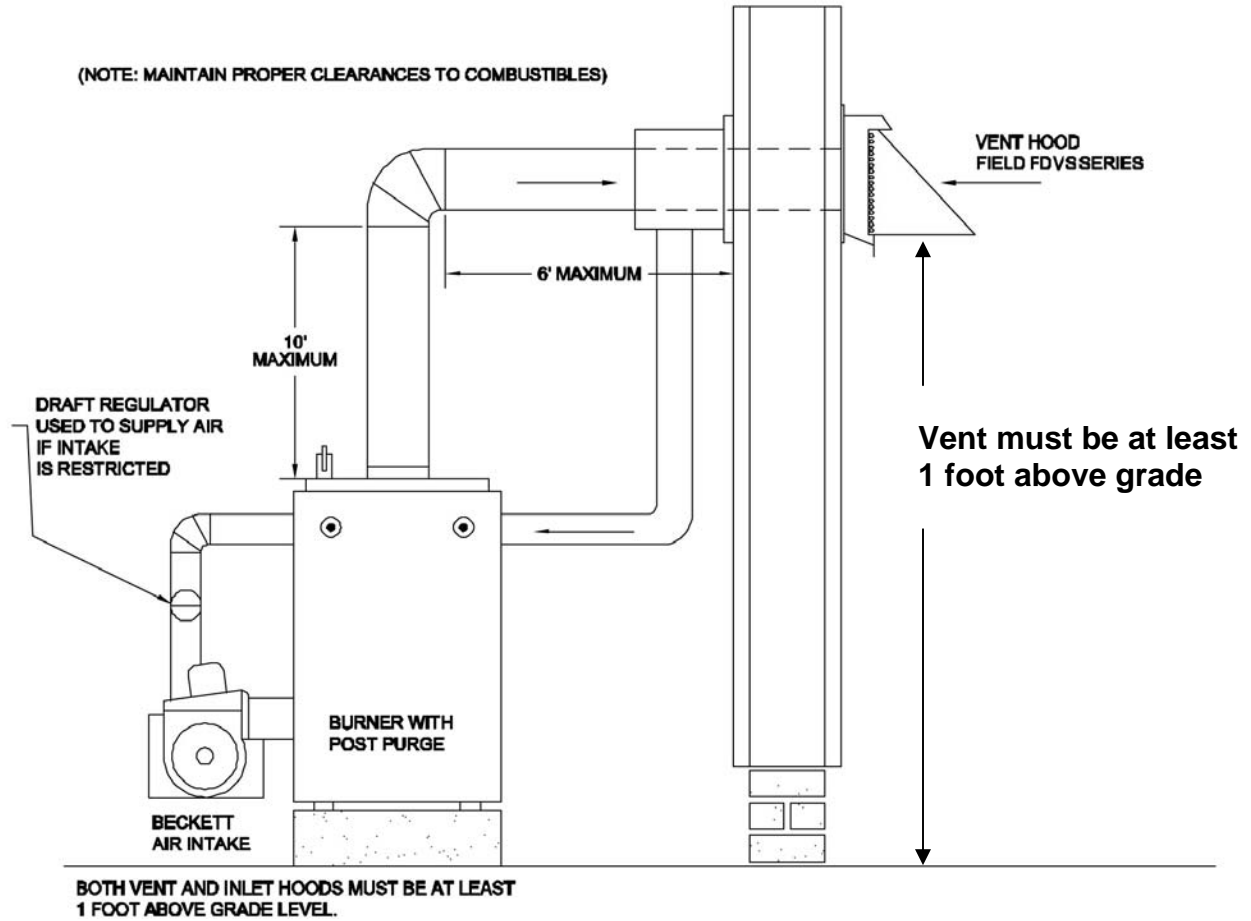


Figure 2

If you have any questions concerning the information contained in this bulletin, please feel free to contact our **Technical Service Department** at **1-800-325-5479**.