



Green Mountain

BOILERS

GMGW

Cast Iron

Gas Fired Boilers

For Forced Hot Water

REPAIR PARTS AND OPTIONAL KITS

Models

GMGWB045FE	GMGWB120FE
GMGWB070FE	GMGWB145FE
GMGWB096FE	GMGWB170FE
GMGWB195FE	GMGWB245FE
GMGWB295FE	

Ordering Instructions

Order Parts through your nearest supplier.

When ordering parts, obtain Model Number from data plate on your boiler.

Include following information when ordering.

Part Number _____

Part Description _____

Boiler Model Number _____

Boiler Serial Number _____

Manufactured by:

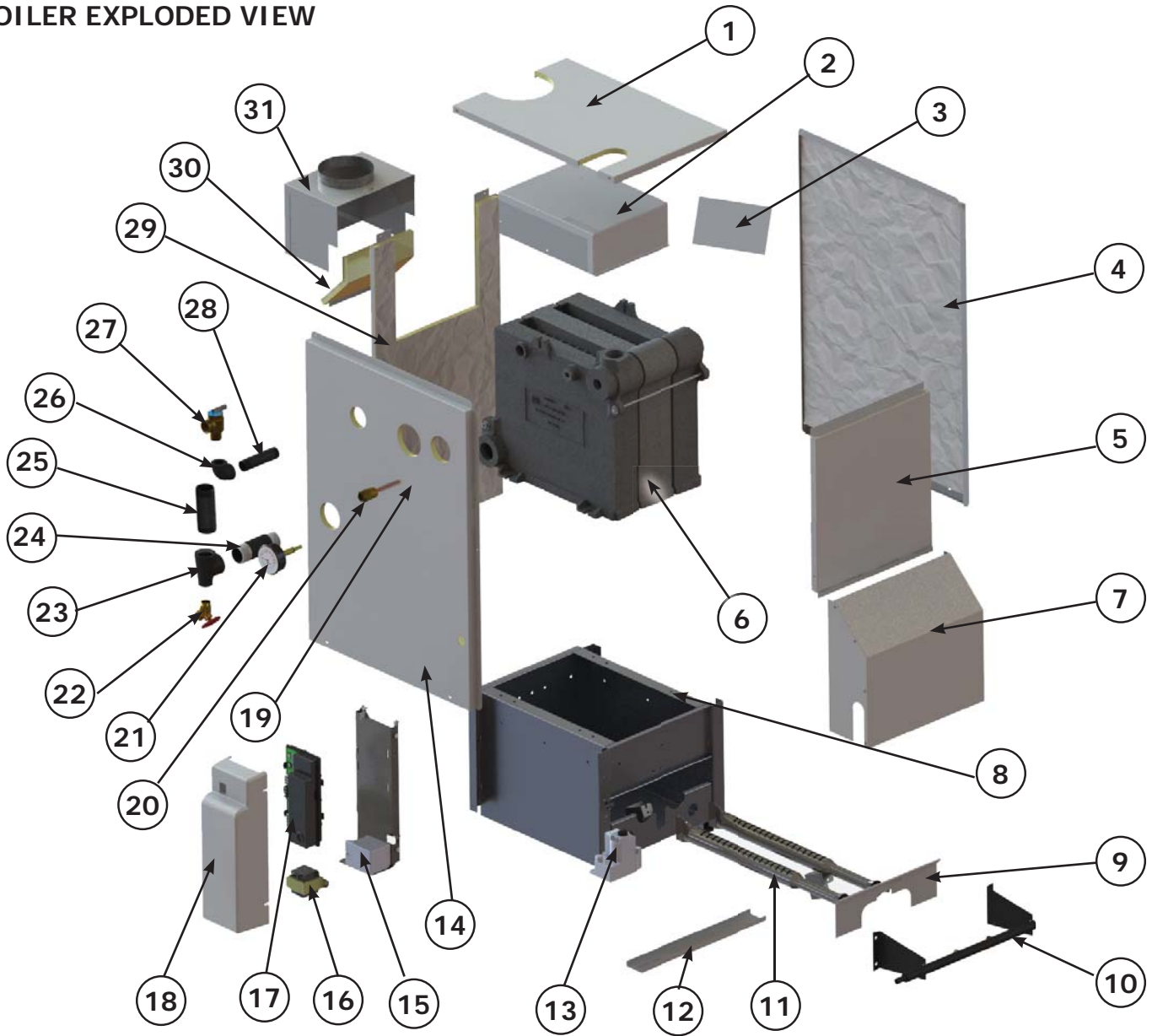
ECR International, Inc.

2201 Dwyer Avenue, Utica NY 13501

web site: www.ecrinternational.com

REPLACEMENT PARTS

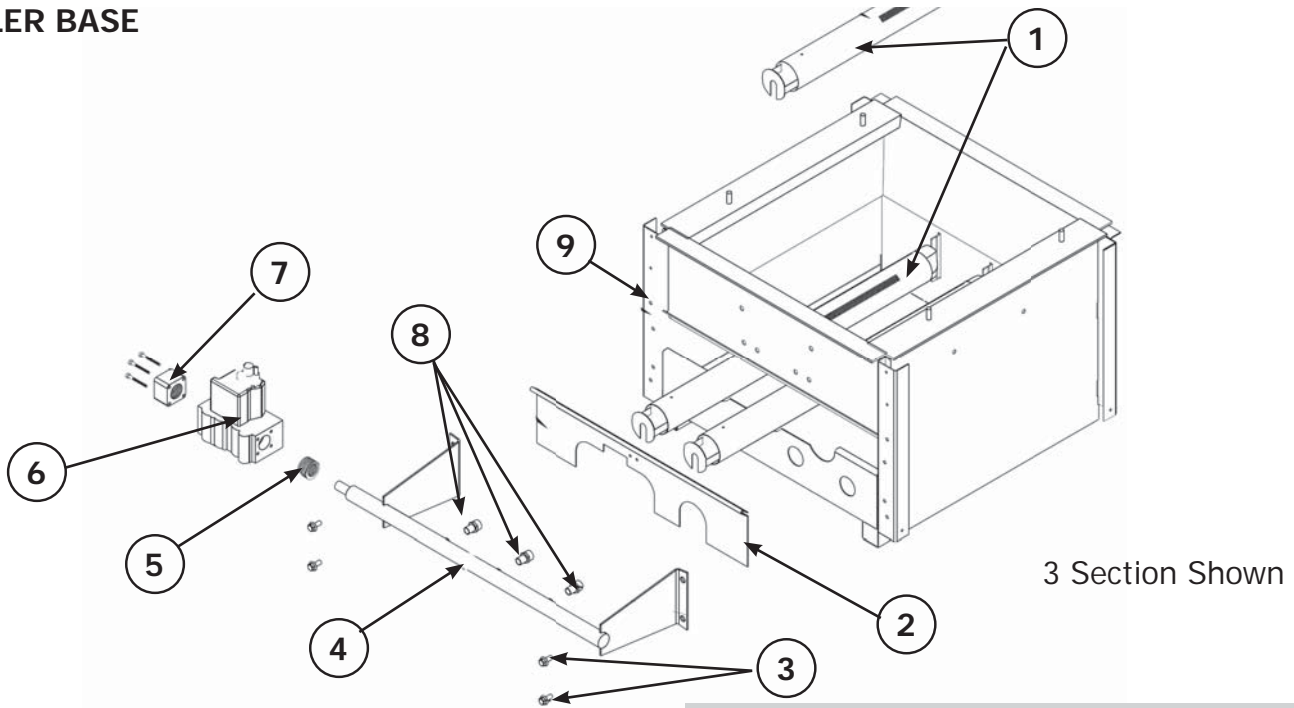
BOILER EXPLODED VIEW



Item	Description	Item	Description	Item	Description
1	Jacket Top	13	Gas Valve	25	Female Pipe Adapter
2	Flue Collector	14	Jacket Side Left	26	Pipe Elbow
3	Baffle	15	Control Panel	27	Safety Relief Valve
4	Jacket Side Right	16	Transformer	28	Female Pipe Adapter
5	Jacket Front Upper	17	Control	29	Jacket Back
6	Heat Exchanger	18	Control Cover	30	Jacket Back to Flue
7	Jacket Front Lower	19	Pipe Bushing	31	Draft Hood
8	Base	20	Well		
9	Burner Door	21	Temperature Pressure Gauge		
10	Manifold	22	Drain Valve		
11	Burner Tube	23	Pipe Tee		
12	Tray	24	Female Pipe Adapter		

REPLACEMENT PARTS

BOILER BASE

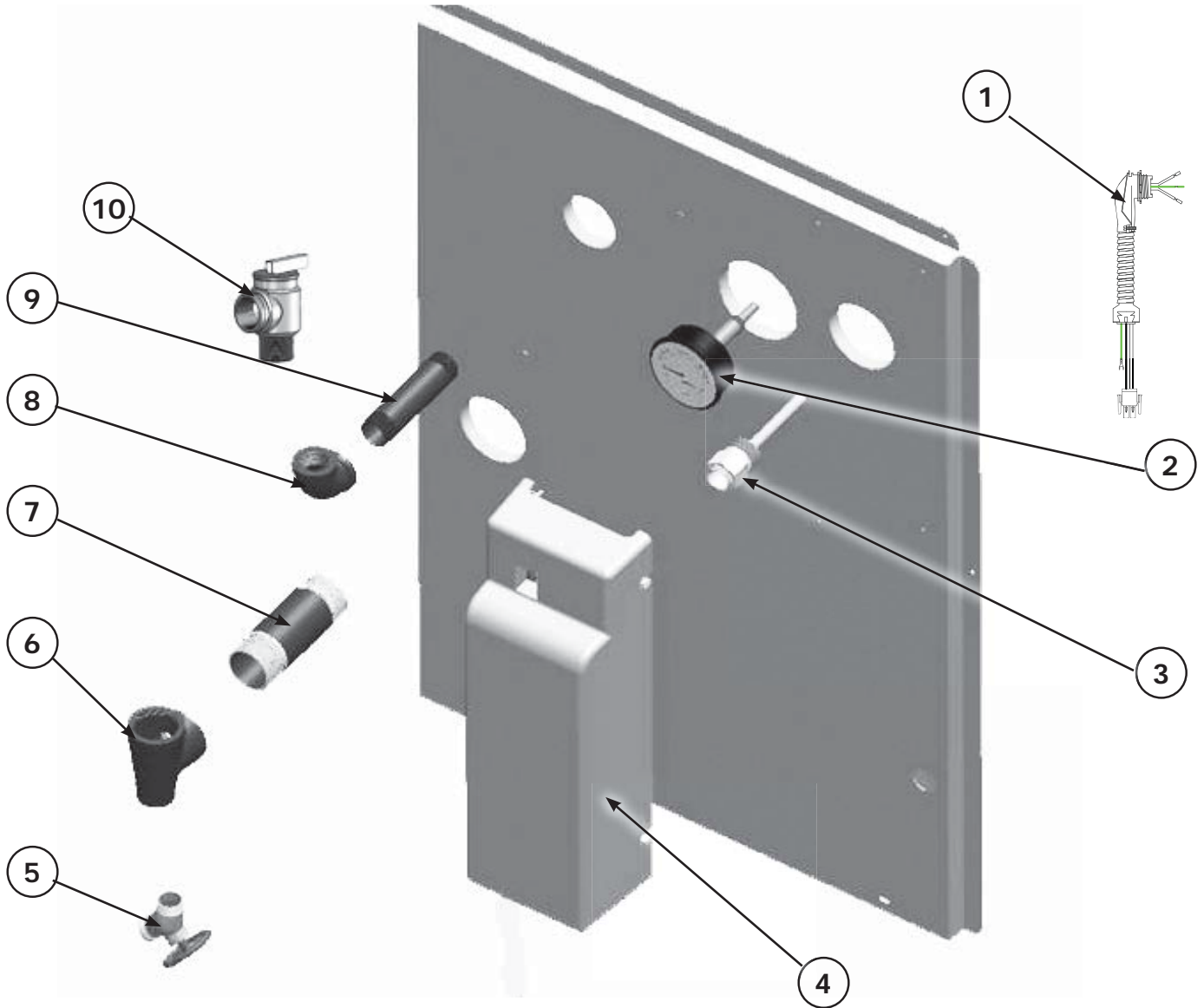


Item	Part No.	Description	QTY.
1	240005543	Burner Tube 1½" (045)	1
		Burner Tube 1½" (070, 096)	2
		Burner Tube 1½" (120, 145)	3
		Burner Tube 1½" (170, 195)	4
		Burner Tube 1½" (245)	5
		Burner Tube 1½" (295)	6
2	109009071	Burner Door (045)	1
	109009072	Burner Door (070, 096)	
	109009075	Burner Door (120, 145)	
	109009076	Burner Door (170, 195)	
	109009077	Burner Door (245)	
	109009078	Burner Door (295)	
3	HW-005.01	Screw ¼ - 20 x ½ Self Tap	4
4	356-2-1.01	Manifold (045)	1
	356-2-1.02	Manifold (070,096)	
	356-2-1.03	Manifold (120, 145)	
	356-2-1.04	Manifold (170, 195)	
	356-2-1.05	Manifold (245)	
	356-2-1.06	Manifold (295)	
5	VG-006.00	Internal Bushing ¾ x ½ (ALL LP)	1
6	VG01101	Gas Valve, Spark Nat (045-145)	
	VG01102	Gas Valve, Spark Nat (170-195)	
	VG01103	Gas Valve, Spark Nat (245-295)	
	VG01104	Gas Valve, Spark LP (045-295)	
7	VG01601	Straight Flange - ¾" NPT (170, 195, 245, 295 - LP ONLY)	1

Item	Part No.	Description	QTY.
8	240007406	Orifice 3.2mm, Nat. (096)	2
		Orifice 3.2mm, Nat. (145)	3
		Orifice 3.2mm Nat. (195)	4
		Orifice 3.2mm, Nat. (245)	5
		Orifice 3.2mm, Nat. (295)	6
	240007405	Orifice 3.1mm, Nat (045)	1
	240007403	Orifice 2.9mm, Nat (120)	3
	240007403	Orifice 2.9mm, Nat (170)	4
	240007402	Orifice 2.8mm, Nat (070)	2
	355-1-5.04	355-1-5.04	Orifice #47, LP (045)
Orifice #47, LP (096)			2
Orifice #47, LP (145)			3
Orifice #47, LP (195)			4
Orifice #47, LP (245)			5
Orifice #47, LP (295)			6
355-1-5.06	355-1-5.06	Orifice #49, LP (120)	3
		Orifice #49, LP (170)	4
355-1-5.07	Orifice #50, LP (070)	2	
9	5611601	Base w/Insul (045)	1
	5611602	Base w/Insul (070, 096)	
	5611103	Base w/Insul (120, 145)	
	5611604	Base w/Insul (170, 195)	
	5611605	Base w/Insul (245)	
	5611606	Base w/Insul (295)	
NOT SHOWN	325-2-8.01	Combustible Floor Base - 45	1
	325-2-8.02	Combustible Floor Base - 70, 96	
	325-2-8.03	Combustible Floor Base - 120, 145	
	325-2-8.04	Combustible Floor Base - 170, 195	
	325-2-8.05	Combustible Floor Base - 245	
	325-2-8.06	Combustible Floor Base - 295	

REPLACEMENT PARTS

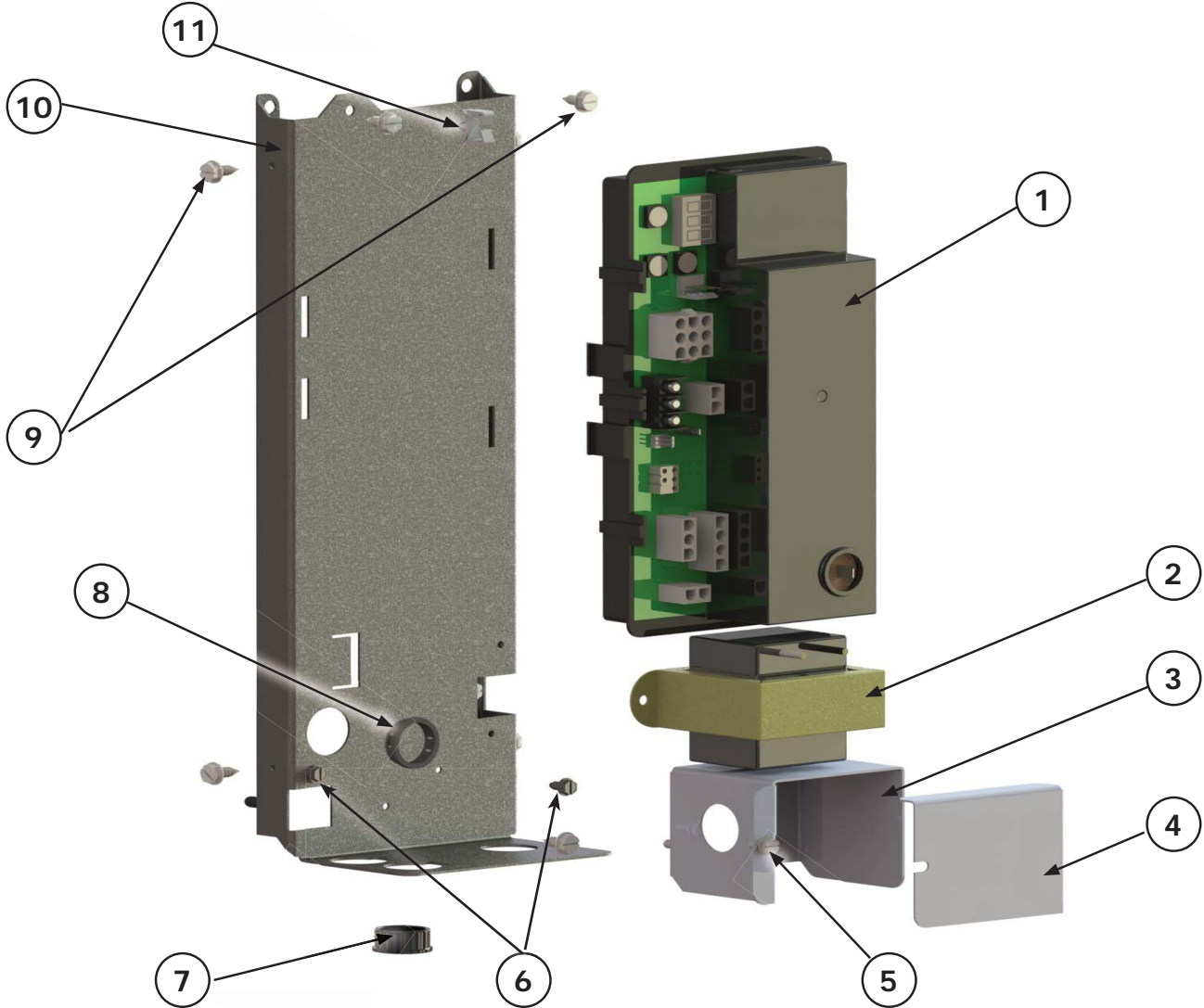
PIPING & CONTROLS



Item	Part No.	Description	Qty.
1	240008767	60" Circulator Harness	1
2	1260006	Gauge - Temperature Pressure	1
3	1635001	Well 3/4 x 1 1/2"	1
4	108000193	Control Cover	1
5	240009323	Drain Valve	1
6	1510001	Pipe - Tee 1-1/4 x 3/4 x 1-1/4	1
7	1310002	Pipe- NPL 1-1/4 x 4-1/2 NPT	1
8	1190001	Pipe Elbow 3/4" 90°	1
9	1310001	Female Pipe - Adapter 3/4" x 4"	1
10	VR-001.01	Relief Valve 30#	1

REPLACEMENT PARTS

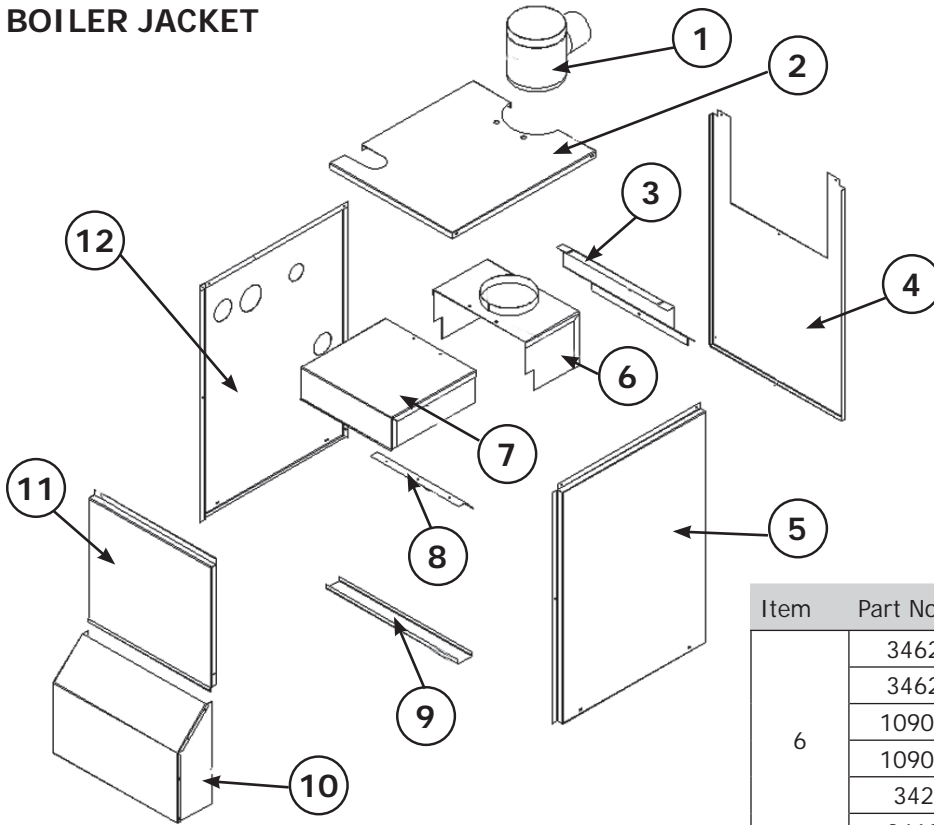
CONTROL MODULE



ITEM	DESCRIPTION	P/N	QTY.
1	Control Module	240008781	1
2	50 VA Transformer	240008782	1
3	J-Box	109008634	1
4	J-Box Cover	109008335	1
5	Screw# 8 X 1/2 " B Point	20100021	8
6	Ground Screw # 8	HW07701	2
7	Grommet, Plastic 7/8"	14693011	1
8	Grommet, Plastic 7/8"	20600023	1
9	Screw #10 X 1/2" , A Point	14695074	4
10	Control Panel	109008507	1
11	Cable Keeper	EF03601	1
*	Sensor, 24"	240009339	1
*	Sensor Clip	240008013	1
*	Damper Harness	240006309	1
*	Low Volt Harness	240009195	1
*	Line Volt Harness	240009194	1
* Not Shown			

REPLACEMENT PARTS

BOILER JACKET

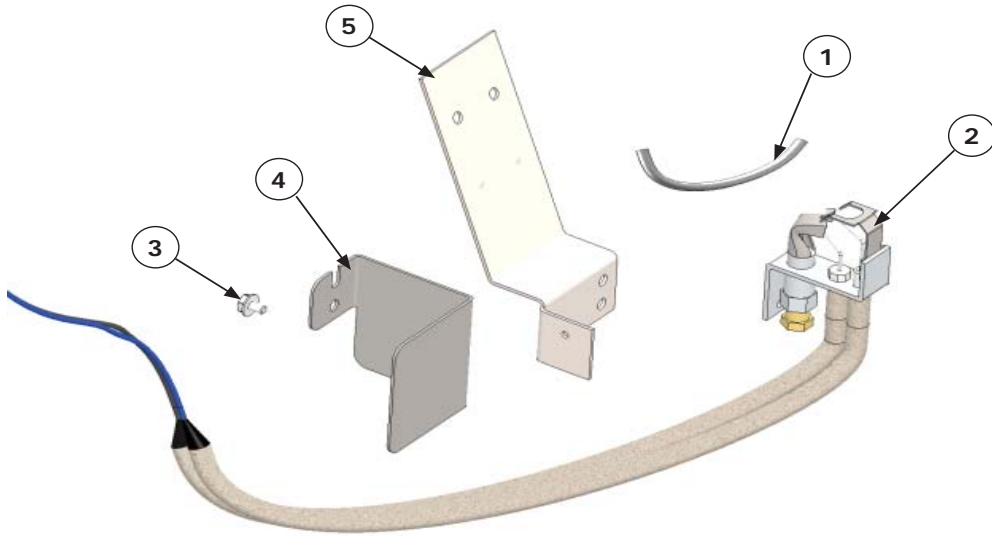


Item	Part No.	Description	Qty.
1	240006936	4" Damper (045)	1
	240006937	5" Damper (070, 096)	
	240006938	6" Damper (120, 145)	
	240006939	7" Damper (170, 195)	
	240006940	8" Damper (245)	
	240006941	9" Damper (295)	
	109008692	Jkt Top Panel (045)	
109008693	Jkt Top Panel (070, 096)		
109008694	Jkt Top Panel (120, 145)		
109008695	Jkt Top Panel (170, 195)		
109008741	Jkt Top Panel (245)		
109008742	Jkt Top Panel (295)		
3	109008705	Jkt Back to Flue (045)	1
	109008706	Jkt Back to Flue (070, 096)	
	109008707	Jkt Back to Flue (120, 145)	
	109008708	Jkt Back to Flue (170, 195)	
	109008747	Jkt Back to Flue (245)	
	109008748	Jkt Back to Flue (295)	
	4	109008701	
109008702		Jkt Back Panel (070, 096)	
109008703		Jkt Back Panel (120, 145)	
109008704		Jkt Back Panel (170, 195)	
109008745		Jkt Back Panel(245)	
109008746		Jkt Back Panel (295)	
5		109008700	Jkt Side Right Panel (046-295)

Item	Part No.	Description	Qty.
6	34620601	Draft Hood (045)	1
	34620602	Draft Hood (070, 096)	
	109008554	Draft Hood (120, 145)	
	109008556	Draft Hood (170, 195)	
	3420605	Draft Hood (245)	
	34620606	Draft Hood (295)	
7	34620501	Flue Collector (045)	1
	109008571	Flue Collector (070, 096)	
	109008554	Flue Collector (120, 145)	
	109008555	Flue Collector (170, 195)	
	34620505	Flue Collector (245)	
8	3461701	Flue Collector Restrictor (045)	1
	3461702	Flue Collector Restrictor (070)	
9	109008709	Tray (045)	1
	109008710	Tray (070, 096)	
	109008711	Tray (120, 145)	
	109008712	Tray (170, 195)	
	109008749	Tray (245)	
	109008750	Tray (295)	
	10	109008713	
109008714		Jkt Front Lower (070, 096)	
109008715		Jkt Front Lower (120, 145)	
109008716		Jkt Front Lower (170, 195)	
109008751		Jkt Front Lower (245)	
109008752		Jkt Front Lower (295)	
11		109008696	Jkt Front Upper (045)
	109008697	Jkt Front Upper (070, 096)	
	109008698	Jkt Front Upper (120, 145)	
	109008699	Jkt Front Upper (170, 195)	
	109008743	Jkt Front Upper (245)	
	109008744	Jkt Front Upper (295)	
	12	109008509	Jkt Side Left Panel (046-295)

REPLACEMENT PARTS

HONEYWELL PILOT KIT



Note - Shipped with Natural Gas Configuration.
Requires field install for LP conversion.

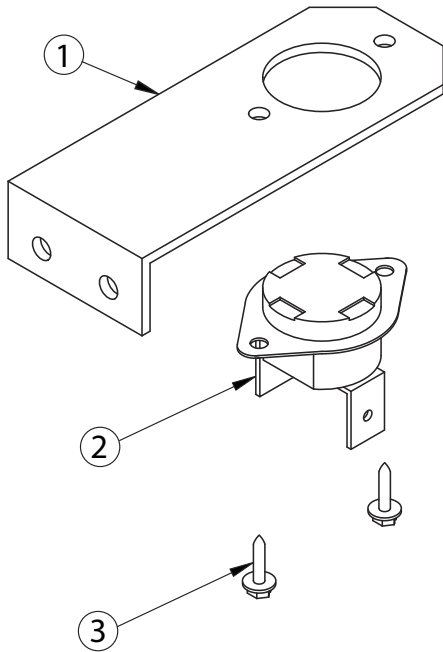
Spark Pilot Kit - Natural Gas & LP/Propane 550002585

Item	Description	Qty.
1	Pilot Tubing, 1/8" x 24"	1
2	Natural Gas Pilot	1
3	Bracket Screw	1
4	Pilot Shield	1
5	Pilot Bracket Assembly	1
*	LP Orifice	1
*	Compression Fitting (14662087)	1
* Not Shown		

REPLACEMENT PARTS

ROLLOUT/BLOCKED VENT SAFETY SWITCHES

3 Section Rollout Switch Bracket



Temperature Sensor Bracket			
ITEM	PART NO.	DESCRIPTION	QTY.*
1	32611001	2 Section Temp. Sensor Bracket	1
	3262001	3 Section Temp. Sensor Bracket	1
	109008517	4 Section Temp. Sensor Bracket	1
	109008518	5-7 Section Temp. Sensor Bracket	1
2	AQ02101	Control - Fixed Temperature Thermostat (Blocked Vent/Rollout Switch)	1
3	HW06501	Screw - #6 x 1/4" Hex HD	2

*Rollout switch is located on base; blocked vent on flue collector.
NOTE: Quantities are for each switch.

HEAT EXCHANGERS

FULLY ASSEMBLED HEAT EXCHANGERS

912000001	Heat Exchanger (2 Section)
912000002	Heat Exchanger (3 Section)
912000003	Heat Exchanger (4 Section)
912000004	Heat Exchanger (5 Section)
912000005	Heat Exchanger (6 Section)
912000006	Heat Exchanger (7 Section)

CONVERSION KITS

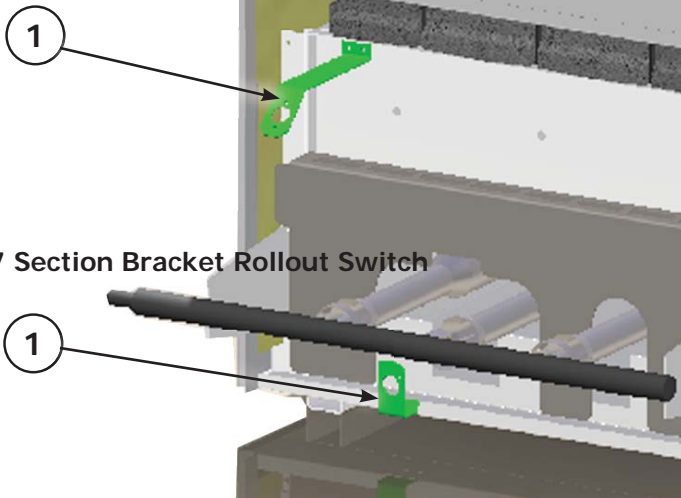
NATURAL GAS TO PROPANE (LP)

Model	Part No.	Description
045	550001279	Kit, Conversion, Natural to LP
070	550001280	Kit, Conversion, Natural to LP
096	550001281	Kit, Conversion, Natural to LP
120	550001282	Kit, Conversion, Natural to LP
145	550001283	Kit, Conversion, Natural to LP
170	550001284	Kit, Conversion, Natural to LP
195	550001285	Kit, Conversion, Natural to LP
245	550001286	Kit, Conversion, Natural to LP
295	550001287	Kit, Conversion, Natural to LP

LP TO NATURAL GAS

Model	Part No.	Description
045	550001270	Kit, Conversion, LP to Natural
070	550001271	Kit, Conversion, LP to Natural
096	550001272	Kit, Conversion, LP to Natural
120	550001273	Kit, Conversion, LP to Natural
145	550001274	Kit, Conversion, LP to Natural
170	550001275	Kit, Conversion, LP to Natural
195	550001276	Kit, Conversion, LP to Natural
245	550001277	Kit, Conversion, LP to Natural
295	550001278	Kit, Conversion, LP to Natural

4 Section Rollout Switch Bracket



5-7 Section Bracket Rollout Switch