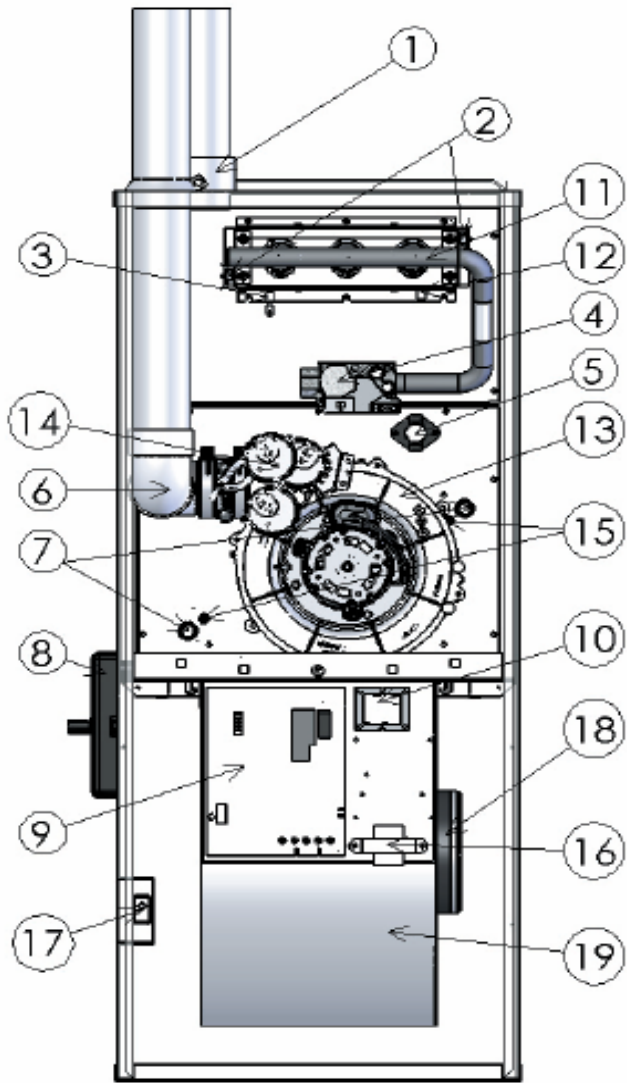


G95V Series Gas-Fired 95% 2-Stage High Efficiency (Condensing) Multi-Positional Furnace w/ ECM Circulator



| G95V Series Gas-Fired 95% 2-Stage High Efficiency (Condensing) Multi-Positional Furnace w/ ECM Circulator | | | | | | |
|--|---|--|--|--|--|--|
| Key No. | Description | G95V060-3 | G95V080-3 | G95V080-4 | G95V100-5 | G95V120-5 |
| | | 14806010 | 14808010 | 14808014 | 14810010 | 14812010 |
| | Cabinet Group | | | | | |
| | Top Panel | <i>Special Order, Please Contact Customer Service Department</i> | <i>Special Order, Please Contact Customer Service Department</i> | <i>Special Order, Please Contact Customer Service Department</i> | <i>Special Order, Please Contact Customer Service Department</i> | <i>Special Order, Please Contact Customer Service Department</i> |
| | Left Side Panel Assembly | | | | | |
| | Right Side Panel Assembly | | | | | |
| | Rear Panel | | | | | |
| | Blower Division Panel Assembly | | | | | |
| | Base Panel | | | | | |
| | Upper Front Door Panel, (Sight Door) | | | | | |
| | Door Sight Glass, Plug, WP-1000 | | | | | |
| | Lower Front Blower Door Panel | | | | | |
| | Door Sight Glass, Plug, WP-1000 | | | | | |
| | Angle, Inner Front Side, (2 Required) | | | | | |
| | Air Baffle, Rear | | | | | |
| | Air Baffle, Left-side Panel | | | | | |
| | Air Baffle, Right-Side Panel | | | | | |
| | Heat Exchanger Group | | | | | |
| | Heat Exchanger Assembly | <i>Special Order</i> | <i>Special Order</i> | <i>Special Order</i> | <i>Special Order</i> | <i>Special Order</i> |
| | <i>Includes Recovery Coil Assembly, Covers, Turbulators, etc.</i> | | | | | |
| 15 | Front Manifold Cover Kit, (Plastic) | 550001522 | 550001522 | 550001522 | 550001523 | 550001523 |
| | Flue Orifice, 0.850" I.D. | <i>Special Order</i> | --- | --- | --- | --- |
| | Flue Orifice, 1.000" I.D. | --- | <i>Special Order</i> | | --- | --- |
| | Flue Orifice, 1.250" I.D. | --- | --- | --- | <i>Special Order</i> | --- |
| | Flue Orifice, 1.580" I.D. | --- | --- | --- | --- | <i>Special Order</i> |
| | Inner Front Panel, Lower | <i>Special Order</i> | <i>Special Order</i> | | <i>Special Order</i> | <i>Special Order</i> |
| | Blower Group | | | | | |
| 19 | Blower, Kit, c/w Wheel, 12-7T | 550001520 | 550001520 | 550001520 | --- | --- |
| | <i>Kit includes blower housing and 12-7 wheel</i> | | | | | |
| 19 | Blower, Kit, c/w Wheel, Morrison 12-10T, 05-31285 | --- | --- | --- | 550001536 | 550001536 |
| | <i>Kit includes blower housing and 12-10 wheel</i> | | | | | |
| 18 | Blower Motor, 1/2 HP, ECM, Programmed, 2-Stage | 550001658 | 550001866 | --- | --- | --- |
| 18 | Blower Motor, 3/4 HP, ECM, Programmed, 2-Stage | --- | --- | 550001659 | --- | --- |
| 18 | Kit, Blower Motor, 1 HP, ECM, Programmed, 2-Stage | --- | --- | --- | 550001861 | 550001657 |
| 16 | Choke Coil, ECM, KA264F Brownsburg | --- | --- | 550001660 | 550001660 | 550001660 |
| | Blower Slide Rail, (2 per unit) | <i>Special Order</i> | <i>Special Order</i> | <i>Special Order</i> | <i>Special Order</i> | <i>Special Order</i> |

| G95V Series Gas-Fired 95% 2-Stage High Efficiency (Condensing) Multi-Positional Furnace w/ ECM Circulator | | | | | | |
|--|---|----------------------|----------------------|----------------------|----------------------|----------------------|
| Key No. | Description | G95V060-3 | G95V080-3 | G95V080-4 | G95V100-5 | G95V120-5 |
| | | 14806010 | 14808010 | 14808014 | 14810010 | 14812010 |
| 26 | Blower Hardware Kit, 12" Diameter Blowers | 550001815 | 550001815 | 550001815 | 550001815 | 550001815 |
| | Electrical & Controls Group | | | | | |
| 10 | Transformer Kit, 115/24 v, 40 VA, BE161640REK0028 | 550001533 | 550001533 | 550001533 | 550001533 | 550001533 |
| 16 | Kit, Choke Coil, ECM, KA264F Brownsburg | --- | --- | 550001660 | 550001660 | 550001660 |
| 17 | Blower Door Safety Switch Kit, E65-01A <i>Kit includes switch, junction box and junction box cover</i> | 550001532 | 550001532 | 550001532 | 550001532 | 550001532 |
| 25 | Wire Harness Kit <i>Kit includes all wiring harnesses</i> | 550001654 | 550001654 | 550001654 | 550001654 | 550001654 |
| 9 | Control Board, Kit, UTEC 1170-23, 2-Stage w/ ECM | 550001655 | 550001655 | 550001655 | 550001655 | 550001655 |
| | Control Board Panel | <i>Special Order</i> | <i>Special Order</i> | <i>Special Order</i> | <i>Special Order</i> | <i>Special Order</i> |
| 13 | Induced Blower Kit, Jakel AX3338A 2-Stage <i>Kit includes induced blower and flue orifice gaskets</i> | 550001653 | 550001653 | 550001653 | 550001653 | 550001653 |
| 14 | Pressure Switch Kit, 3SW, 2ST, MPL 9371VO-HT-0001 <i>Kit includes pressure switch and 3/16" pressure switch tubing</i> | 550001649 | 550001649 | 550001649 | 550001649 | 550001649 |
| 5 | Limit Switch Kit, 150°F, 60T11 L150, BOF, Therm-O-Disc 314210 | --- | --- | --- | 550001525 | 550001525 |
| 5 | Limit Switch Kit, 160°F, 60T11 L160, BOF, Therm-O-Disc 314415 | 550001514 | 550001514 | 550001514 | --- | --- |
| 20 | Fuse Kit, 5 Amp, (3-fuses) | 550001534 | 550001534 | 550001534 | 550001534 | 550001534 |
| | Burner Group | | | | | |
| 4 | Gas Valve Kit, White-Rodgers 36G54, 2-Stage <i>Kit includes gas valve (N.G.) and L.P. Gas Regulator Spring</i> | 550001656 | 550001656 | 550001656 | 550001656 | 550001656 |
| | Inshot Burner, Beckett 2.75" W | --- | --- | --- | --- | --- |
| | Burner Orifice, NG, SL, No.45 DMS | | | | | |
| | Burner Orifice, L.P., SL, No. 55 DMS | Order Conversion Kit | Order Conversion Kit | Order Conversion Kit | Order Conversion Kit | Order Conversion Kit |
| | Burner Orifice, NG, HA, No. 47 DMS, (Cdn.) | | | | | |
| | Burner Orifice, L.P., HA, No. 56 DMS, (Cdn.) | | | | | |
| | Combustion Box Assembly | <i>Special Order</i> | <i>Special Order</i> | <i>Special Order</i> | <i>Special Order</i> | <i>Special Order</i> |
| 12 | Hot Surface Ignitor, Norton 601 Type TB, 120 v | 550001527 | 550001527 | 550001527 | 550001527 | 550001527 |
| 3 | Flame Sensor Kit, c/w 8" Leads, Honeywell 272872 | 550001528 | 550001528 | 550001528 | 550001528 | 550001528 |
| 2 | Flame Roll-Out Switch Kit, 350°F, INT08 L350 | 550001515 | 550001515 | 550001515 | 550001515 | 550001515 |
| | Miscellaneous | | | | | |
| 21 | Air Filter Kit, 16 x 25 (Optional) | 550001458 | 550001458 | 550001458 | 550001458 | 550001458 |
| 30 | Sub-Base Kit | 550001346 | 550001346 | 550001346 | 550001346 | 550001346 |
| 24 | Parts Bag Assembly Kit | 550001521 | 550001521 | 550001521 | 550001521 | 550001521 |
| | Installation, Operation & Maintenance Manual | 240006743 | 240006743 | 240006743 | 240006743 | 240006743 |

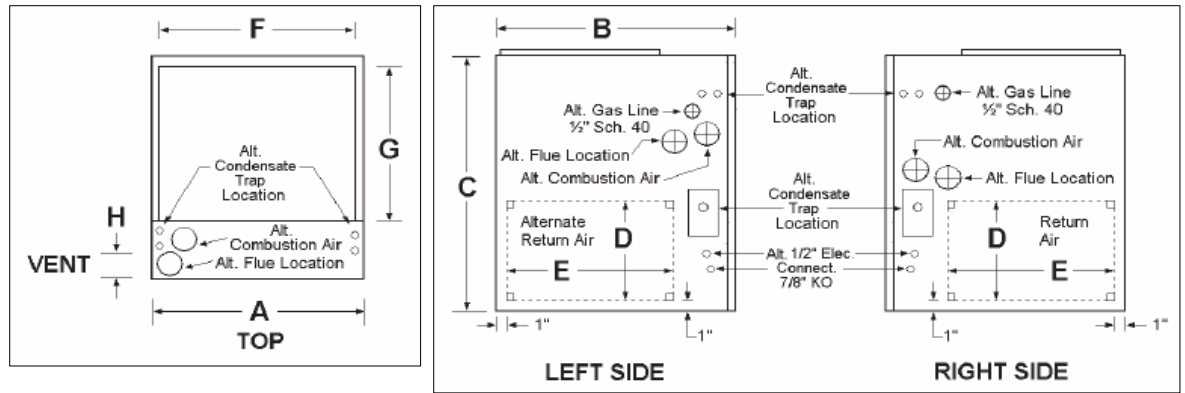
| G95V Series Gas-Fired 95% 2-Stage High Efficiency (Condensing) Multi-Positional Furnace w/ ECM Circulator | | | | | | |
|--|--|------------------|------------------|------------------|------------------|------------------|
| Key No. | Description | G95V060-3 | G95V080-3 | G95V080-4 | G95V100-5 | G95V120-5 |
| | | 14806010 | 14808010 | 14808014 | 14810010 | 14812010 |
| | User's Manual | 240006752 | 240006752 | 240006752 | 240006752 | 240006752 |
| | Olsen Logo, Domed, 5½ x 1¾ | 240006644 | 240006644 | 240006644 | 240006644 | 240006644 |
| | Airco Logo, 4.062 x 1.687 | 28564 | 28564 | 28564 | 28564 | 28564 |
| | Concentric Vent Kits | | | | | |
| 22 | 2-inch Concentric Vent Kit | 29570 | 29570 | 29570 | 29570 | 29570 |
| 23 | 3-inch Concentric Vent Kit | 29571 | 29571 | 29571 | 29571 | 29571 |
| | Conversion Kit | | | | | |
| 27 | Universal, Natural Gas / L.P. Gas / High Altitude <i>Kit includes orifices for NG and LP, SL and HA, plus orifice blanks.</i> | 550001641 | 550001641 | 550001641 | 550001641 | 550001641 |
| 28 | Natural Gas to L.P. Gas Conversion Kit <i>Kit includes L.P. Gas regulator spring and orifices, sea level only.</i> | 550001648 | 550001648 | 550001648 | 550001648 | 550001648 |
| 29 | L.P. Gas to Natural Gas Conversion Kit <i>Kit includes Nat. Gas regulator spring and orifices, sea level only.</i> | 550001816 | 550001816 | 550001816 | 550001816 | 550001816 |
| | Parts Bag Assembly Contents: | | | | | |
| | 109005117 - (1) - Condensate Trap Mounting Plate | | | | | |
| | 109006007 - (1) - 2-inch Vent Bracket | | | | | |
| | 2130025 - (1) - 10-32 Square Nut | | | | | |
| | 2141015 - (1) - 10-32 x 1/2 Screw | | | | | |
| | 240005899 - (2) - Vent Clamp Gasket | | | | | |
| | 18094 - (1) - Locknut, 2-inch | | | | | |
| | 240005660 - (2) - 2 x 2 90° PVC Elbow | | | | | |
| | 27907 - (1) - Condensate Trap | | | | | |
| | 28637 - (2) - Tube, 1/2" ID, 1/8 wall, 6TE500750502 | | | | | |
| | 28690 - (1) - 2" Inlet Connector, 436-020 | | | | | |
| | 28693 - (1) - Grommet, Gas Line, 825 1.625" dia. | | | | | |
| | 28761 - (2) - Tube, 5/8" ID, 1/8 wall, Neoprene | | | | | |
| | 28765 - (1) - Elbow, Barbed, ½ x ½ 90°, 501-2763 L88 | | | | | |
| | 28766 - (1) - Elbow, Barbed, 5/8 x 5/8 90°, 501-2798 L1010 | | | | | |
| | 28800 - (3) - Clamp, Hose, 2326 Black HO12, Clamp # 44-AC | | | | | |
| | 28801 - (4) - Clamp, Hose, 2334 Black HO18, Clamp # 56 | | | | | |
| | 28872 - (1) - Gasket, Condensate Drain Trap | | | | | |
| | 30A041801 - (5) - 8 x 1/2 Screw, TEK | | | | | |

G95V Series Gas-Fired 95% 2-Stage High Efficiency (Condensing) Multi-Positional Furnace w/ ECM Circulator

| Heating Capacity - BTU/Hr. | G95V060-3 | G95V080-3 | G95V080-4 | G95V100-5 | G95V120-5 |
|---|-----------|-----------|-----------|-----------|-----------|
| Full Rate Capacity (Input), 0 - 2000' | 60,000 | 80,000 | 80,000 | 100,000 | 120,000 |
| Full Rate Capacity (Output), 0 - 2000' | 57,000 | 76,000 | 76,000 | 95,000 | 114,000 |
| Reduced Rate Capacity (Input), 0 - 2000' | 36,000 | 48,000 | 48,000 | 60,000 | 72,000 |
| Reduced Rate Capacity (Output), 0 - 2000' | 34,200 | 45,600 | 45,600 | 57,000 | 68,400 |
| Full Rate Capacity (Input), 2000' - 4500' | 54,000 | 72,000 | 72,000 | 90,000 | 108,000 |
| Full Rate Capacity (Output), 2000' - 4500' | 51,300 | 68,400 | 68,400 | 85,500 | 102,600 |
| Reduced Rate Capacity (Input), 2000' - 4500' | 32,400 | 43,200 | 43,200 | 54,000 | 64,800 |
| Reduced Rate Capacity (Output), 2000' - 4500' | 30,780 | 41,040 | 41,040 | 51,300 | 61,560 |
| A.F.U.E. | 95.0% | 95.0% | 95.0% | 95.0% | 95.0% |
| High-Fire Temperature Rise (°F) | 35 - 65 | 35 - 65 | 35 - 65 | 35 - 65 | 35 - 65 |
| Low-Fire Temperature Rise (°F) | 25 - 55 | 25 - 55 | 25 - 55 | 25 - 55 | 25 - 55 |

| Airflow & Cooling | G95V060-3 | G95V080-3 | G95V080-4 | G95V100-5 | G95V120-5 |
|---------------------------------------|--------------|--------------|-------------|------------|------------|
| A/C Cooling Tons CFM @ 0.50" w.c. ESP | 600 - 1200 | 600 - 1200 | 800 - 1600 | 800 - 2000 | 800 - 2000 |
| Programmed Tons | 1½, 2, 2½, 3 | 1½, 2, 2½, 3 | 2, 2½, 3, 4 | 2, 3, 4, 5 | 2, 3, 4, 5 |
| Blower | 12 - 7T | 12 - 7T | 12 - 7T | 12 - 10T | 12 - 10T |
| Motor, (ECM) HP | ½ | ½ | ¾ | 1 | 1 |
| Motor Speed, (RPM) | 0 - 1200 | 0 - 1200 | 0 - 1200 | 0 - 1200 | 0 - 1200 |

| Cabnetry - inches | G95V060-3 | G95V080-3 | G95V080-4 | G95V100-5 | G95V120-5 |
|-----------------------------------|-------------|-------------|-------------|-------------|-------------|
| Width | 16-7/8 | 18-½ | 18-½ | 20-½ | 23-½ |
| Depth | 29-1/8 | 29-1/8 | 29-1/8 | 29-1/8 | 29-1/8 |
| Height | 40-½ | 40-½ | 40-½ | 40-½ | 40-½ |
| Supply Air Plenum Opening (w x d) | 15-3/8 x 20 | 17-1/2 x 20 | 17-1/2 x 20 | 19-1/2 x 20 | 22-1/2 x 20 |
| Return Air Plenum Opening | 14 x 22 | 14 x 22 | 14 x 22 | 14 x 22 | 14 x 22 |



| Venting | G95V060-3 | G95V080-3 | G95V080-4 | G95V100-5 | G95V120-5 |
|---|-----------|-----------|-----------|-----------|-----------|
| Maximum Length, No Elbows, 1½" Pipe | 25 | --- | --- | --- | --- |
| Maximum Length, No Elbows, 2" Pipe | 75 | 50 | 50 | 50 | --- |
| Maximum Length, No Elbows, 3" Pipe | 100 | 100 | 100 | 100 | 100 |
| Deduct 5-feet for each 90° Elbow | | | | | |
| Deduct 5-Feet for Concentric Vent Termination | | | | | |