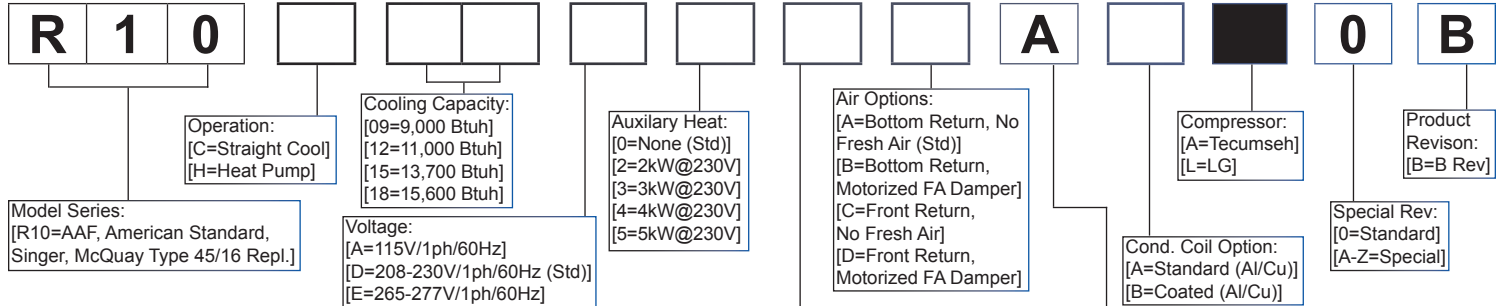


Replacement R10 Series Horizontal PTACs & PTHPs

R10 Series Model Decoding:



Important Selection Notes	Order Qty
<ul style="list-style-type: none"> Htr #2/3/4-265V & Htr #3/5-115V Only, output on p2 115V available on 09 or 12 Straight Cool Only 18 available in Straight Cool, 208-230V only Hydronic Heat Wiring Connections Only (No Valve) 24Vac Remote thermostat sold separately 	

Controls Options:

- [0=Unit Mount w/ Electric/NO Heat]
- [1=24Vac T'stat w/ Electric/NO Heat]
- [2=Unit Mount w/ Hyd Ht (Line V Vlv)]
- [3=24V T'stat w/ Hyd Ht (Line V Vlv)]
- [4= Unit Mount w/ Hyd Ht (24V Vlv)]
- [5=24Vac T'stat w/ Hyd Ht (24V Vlv)]



Please indicate the quantity of any field-installed accessory, desired for each unit

Thermostat, Single-Stage, 1-Heat/1-Cool, 24Vac, Programmable, ICM, Manual Changeover (PN 240008208)	Kit, Cabinet-Wall Sleeve-Louver, No/Elec. Heat, Aluminum-Outdoor & Supply Louvers, Control Door, R10 (PN 550000190)
Thermostat, Single-Stage, 1-Heat/1-Cool, 24Vac, Programmable, ICM, Auto Changeover (PN 240008210)	Kit, Cabinet-Wall Sleeve-Louver, Hydronic Heat, Aluminum-Outdoor & Supply Louvers, Control Door, R10 (PN 5500001170)
Thermostat, T9000, Wireless, Battery, Single Stage, 1-Ht/1-CI, 5/2-Prog, MCO [#240009905 also required] (PN 240009781)	Kit, Hydronic/Steam Coil, 1-Row, Al-Cu, R10 (PN 550000168)
Remote Control Node, T9000, Printed Circuit Board, Wireless, 24Vac, 1/unit req'd [#240009781 also required] (PN 240009905)	Kit, Aquastat, Hydronic Heat, Hot Water Sensor-Relay [Energizes Fan] (PN 550000383)
Isolation Ball Valve, 1/2", Sweat Connections (PN 107000001)	Kits, Water Valves, w/ Actuator, 2/3-Way, Line/24Vac, NO/NC, Sweat Connections (PN Several-Consult Factory)

Job-Guide Specifications

- Standard Warranty: 1 Year - Parts & 5 Year - Compressor
- High Pressure Switch with Integral Compressor Lockout
- Microprocessor Control Board
- Diagnostic LED Codes with Test Mode
- Thermally-protected PSC fan motors
- Indoor Coil Freeze & Anti-Short Cycle (Compr), Protections
- Single Stage Heating Operation (w/ or w/o Electric Heat)
- DOE Performance Qualified & Listed
- ETL-US & Canada Listed for Safety to UL484 Standard
- Reversing Valve Energized in Cooling (Heat Pumps)
- Meets ASHRAE 90.1-2013 for Replacement Efficiencies
- Direct replacement for: Type 45/16 by AAF, McQuay, Comitale, Ice Air, American Standard, Remington, Singer, Nelson Aire, Ice Cap, Islandaire, Carteret, Adirondack Aire & McQuay PNES/PNHS

Miscellaneous Product Data

Return Air Filter	None: In Cabinet Only (Washable Metal Mesh)
Shipping Dimensions	44" x 20 1/2" x 18"
Shipping Weight	140 lbs (64 kg)
Compressor Type	Rotary/R-410A
R10C09/12/15/18 Chrg	22 / 26 / 26.5 / 26 Oz
R10H09/12/15 Charge	27 / 26.5 / 25.7 Oz
HP→Elec Ht (Option)	25°F-Coil / ~40°F-Air Temp

Operating Range			
Mode		OD Amb. Temp	ID Amb. Temp
Cooling	Max	105°F (41°C) DB	80°F (27°C) DB
	Min	32°F (0°C) DB	60°F (19°C) DB
Heating	Max	75°F (24°C) DB	80°F (27°C) DB
	Min	40°F (4.4°C) DB	65°F (18°C) DB

To: _____
 Date: _____
 From: _____
 Contact: _____

For Your: Reference Approval

Project: _____
 Customer: _____
 Location: _____
 Engineer: _____
 Unit Tag# _____

Construction

R10C09 & R10H09 - Electrical Data

Power Supply		Compressor		ID Fan Motor		OD Fan Motor		Electric Heat				Unit Electrical Ratings							
Voltage	Min V	RLA	LRA	FLA	Hp	FLA	Hp	Htr #	Htr V	Htr W	Htr A	TCA	THA	MCA	MOCP	Power			
115V/1ph/60Hz	104	8	45.6	1.4	0.09	1.6	0.125	0	N/A	N/A	N/A	11.0	11	13.0	20	5-15P			
								3	115	750	6.5					5-15P			
								5	115	1250	10.9					5-20P			
208-230V/1ph/60Hz	197	4	22.2	0.6	0.08	0.71	0.09	0	N/A	N/A	N/A	5.3	5.3	6.3	15	6-15P			
								2	208	1636	7.9					8.5	10.6	15	6-15P
									230	2000	8.7					9.3	11.6		
								3	208	2454	11.8		12.4	15.5	20	6-20P			
									230	3000	13.0		13.6	17.1					
								4	208	3271	15.7		16.3	20.4	25	6-30P			
									230	4000	17.4		18.0	22.5					
								5	208	4089	19.7		20.3	25.3	30	6-30P			
									230	5000	21.7		22.3	27.9					
208	N/A	N/A	20.3	25.3															
265V/1ph/60Hz	240	3.32	18.8	0.67	0.08	0.71	0.09	0	N/A	N/A	N/A	4.7	4.7	5.5	15	7-20P			
								2	265	2655	10.0					10.7	13.4	15	7-20P
								3	265	3983	15.0					15.7	19.6	20	7-20P
								4	265	5310	20.0					20.7	25.9	30	7-30P

R10C12 & R10H12 - Electrical Data

Power Supply		Compressor		ID Fan Motor		OD Fan Motor		Electric Heat				Unit Electrical Ratings							
Voltage	Min V	RLA	LRA	FLA	Hp	FLA	Hp	Htr #	Htr V	Htr W	Htr A	TCA	THA	MCA	MOCP	Power			
115V/1ph/60Hz	104	12.7	63	1.4	0.09	1.6	0.125	0	N/A	N/A	N/A	15.4	15.4	18.5	30	5-20P			
								3	115	750	6.5					5-20P			
								5	115	1250	10.9					5-20P			
208-230V/1ph/60Hz	197	5.6	29	0.6	0.08	0.71	0.09	0	N/A	N/A	N/A	6.9	6.9	8.3	15	6-15P			
								2	208	1636	7.9					8.5	10.6	15	6-15P
									230	2000	8.7					9.3	11.6		
								3	208	2454	11.8		12.4	15.5	20	6-20P			
									230	3000	13.0		13.6	17.1					
								4	208	3271	15.7		16.3	20.4	25	6-30P			
									230	4000	17.4		18.0	22.5					
								5	208	4089	19.7		20.3	25.3	30	6-30P			
									230	5000	21.7		22.3	27.9					
208	N/A	N/A	20.3	25.3															
265V/1ph/60Hz	240	4.6	20	0.67	0.08	0.71	0.09	0	N/A	N/A	N/A	6.0	6.0	7.1	15	7-20P			
								2	265	2655	10.0					10.7	13.4	15	7-20P
								3	265	3983	15.0					15.7	19.6	20	7-20P
								4	265	5310	20.0					20.7	25.9	30	7-30P

R10C15 & R10H15 - Electrical Data

Power Supply		Compressor		ID Fan Motor		OD Fan Motor		Electric Heat				Unit Electrical Ratings							
Voltage	Min V	RLA	LRA	FLA	Hp	FLA	Hp	Htr #	Htr V	Htr W	Htr A	TCA	THA	MCA	MOCP	Power			
208-230V/1ph/60Hz	197	7.4	33	0.6	0.08	0.71	0.09	0	N/A	N/A	N/A	8.7	8.7	10.6	15	6-15P			
								2	208	1636	7.9					8.5	10.6	15	6-15P
									230	2000	8.7					9.3	11.6		
								3	208	2454	11.8		12.4	15.5	20	6-20P			
									230	3000	13.0		13.6	17.1					
								4	208	3271	15.7		16.3	20.4	25	6-30P			
									230	4000	17.4		18.0	22.5					
								5	208	4089	19.7		20.3	25.3	30	6-30P			
									230	5000	21.7		22.3	27.9					
208	N/A	N/A	20.3	25.3															
265V/1ph/60Hz	240	6.0	28	0.67	0.08	0.71	0.09	0	N/A	N/A	N/A	7.4	7.4	8.9	15	7-20P			
								2	265	2655	10.0					10.7	13.4	15	7-20P
								3	265	3983	15.0					15.7	19.6	20	7-20P
								4	265	5310	20.0					20.7	25.9	30	7-30P

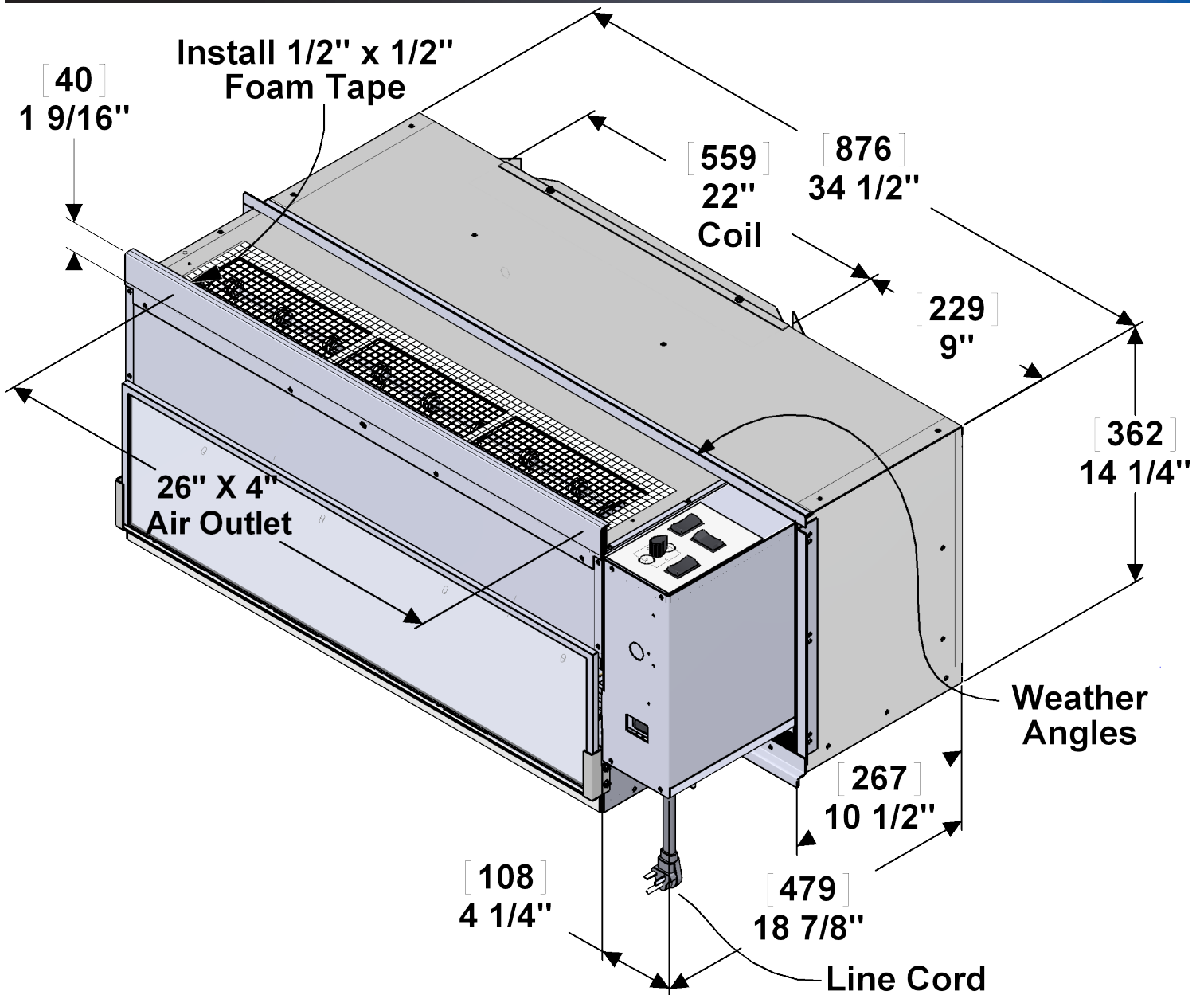
R10C18 - Electrical Data

Power Supply		Compressor		ID Fan Motor		OD Fan Motor		Electric Heat				Unit Electrical Ratings							
Voltage	Min V	RLA	LRA	FLA	Hp	FLA	Hp	Htr #	Htr V	Htr W	Htr A	TCA	THA	MCA	MOCP	Power			
208-230V/1ph/60Hz	197	8.3	44	0.6	0.08	0.71	0.09	0	N/A	N/A	N/A	9.6	9.6	11.7	15	6-15P			
								2	208	1636	7.9					9.6	11.7	15	6-15P
									230	2000	8.7					9.6	11.7		
								3	208	2454	11.8		12.4	15.5	20	6-20P			
									230	3000	13.0		13.6	17.1					
								4	208	3271	15.7		16.3	20.4	25	6-30P			
									230	4000	17.4		18.0	22.5					
								5	208	4089	19.7		20.3	25.3	30	6-30P			
									230	5000	21.7		22.3	27.9					
208	N/A	N/A	20.3	25.3															

Note: The listed THA value is the highest of both heating methods - heat pump & electric heat

NOTICE: Due to ongoing product development; design, specification and performance data listed within this submittal document are subject to change without notice. For the most current performance data, please refer to RetroAire listings of certified products in the DOE directory, or consult the factory.

Chassis & Hydronic Coil Dimensional Specifications

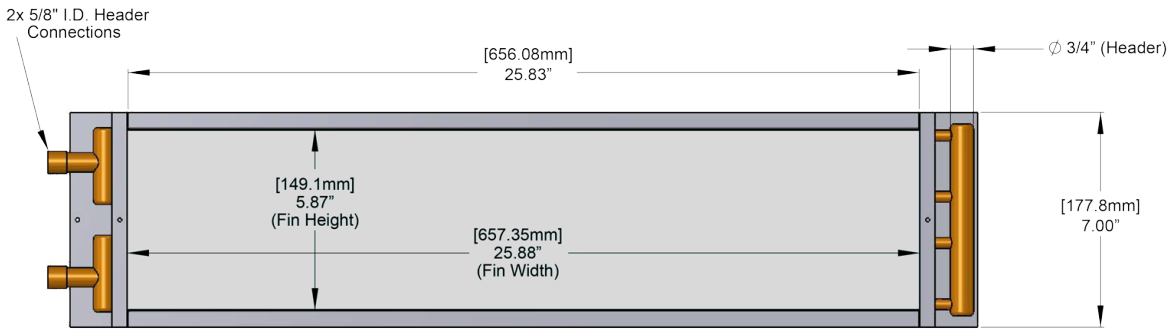


DOE Performance Data (Tested to AHRI 210/240)

Model	Cooling Btuh (kW)	Sensible Heat Ratio	EER	Heat Pump Btuh (kW)	COP	Indoor Airflow				Outdoor
						HP	AC	Sound	Fresh Air	Sound
						CFM (L/S)	CFM (L/S)	dB(A)	CFM (L/S)	dB(A)
R10C09A	9,000 (2.7)	0.79	9.0	N/A	N/A	N/A	440 (208)	62	35 (17)	75
R10C09D	9,400 (2.8)	0.79	8.9	N/A	N/A	N/A	350 (165)	58	35 (17)	75
R10C09E	9,400 (2.8)	0.79	8.9	N/A	N/A	N/A	440 (208)	62	35 (17)	75
R10C12A	11,900 (3.5)	0.66	8.4	N/A	N/A	N/A	400 (189)	60	50 (24)	69
R10C12D	11,700 (3.4)	0.66	8.4	N/A	N/A	N/A	350 (165)	58	50 (24)	69
R10C12E	11,700 (3.4)	0.66	8.4	N/A	N/A	N/A	440 (208)	62	50 (24)	69
R10C15D	14,400 (4.2)	0.69	7.8	N/A	N/A	N/A	400 (189)	60	60 (28)	70
R10C15E	14,400 (4.2)	0.69	7.8	N/A	N/A	N/A	450 (212)	64	60 (28)	70
R10C18D	15,600 (4.0)	0.69	7.7	N/A	N/A	N/A	380 (179)	59	95 (45)	69
R10H09D	8,800 (2.6)	0.70	8.88	8,300 (2.4)	2.7	400 (189)	350 (165)	58	35 (17)	58
R10H09E	8,800 (2.6)	0.70	8.88	8,300 (2.4)	2.7	450 (212)	440 (208)	62	35 (17)	58
R10H12D	11,200 (3.3)	0.68	8.41	11,000 (3.2)	2.6	400 (189)	350 (165)	62	50 (24)	62
R10H12E	11,200 (3.3)	0.68	8.41	11,000 (3.2)	2.6	450 (212)	400 (189)	60	50 (24)	62
R10H15D	13,500 (3.9)	0.63	7.82	14,000 (4.1)	2.5	450 (212)	400 (189)	60	60 (28)	62
R10H15E	13,500 (3.9)	0.63	7.82	14,000 (4.1)	2.5	500 (236)	450 (212)	64	60 (28)	62

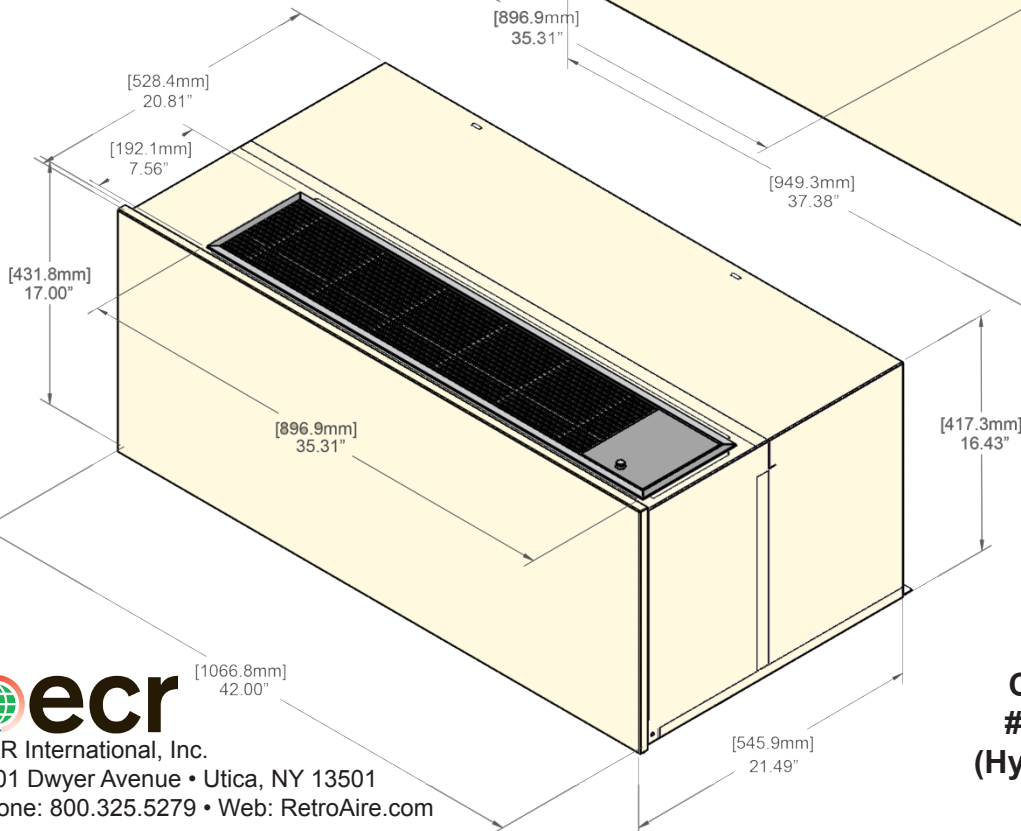
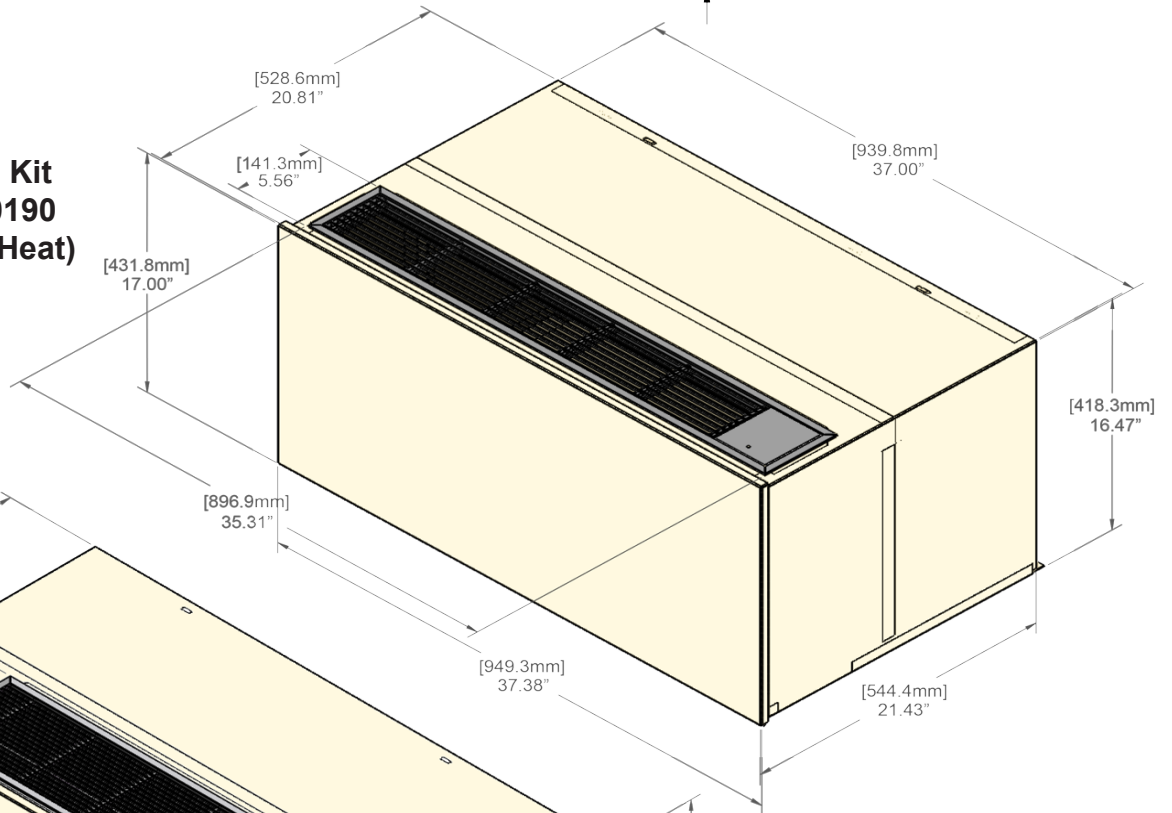
NOTICE: Due to ongoing product development; design, specification and performance data listed within this submittal document are subject to change without notice. For the most current performance data, please refer to RetroAire listings of certified products in the DOE directory, or consult the factory.

Cabinet Front/Sleeve Extension Dimensions & Miscellaneous Product Data




**Hydronic Coil
Kit #550000168**

**Cabinet Kit
#550000190
(No/Elec Heat)**



**Cabinet Kit
#550001170
(Hydronic Heat)**

 **ecr**
 ECR International, Inc.
 2201 Dwyer Avenue • Utica, NY 13501
 Phone: 800.325.5279 • Web: RetroAire.com

NOTICE: Due to ongoing product development; design, specification and performance data listed within this submittal document are subject to change without notice. For the most current performance data, please refer to RetroAire listings of certified products in the DOE directory, or consult the factory.