



RETROAIRE™

The Right Fit for Comfort

**R11C R12C R21C
R22C/H R23C/H R24C/H**

Packaged Terminal Air Conditioner (PTAC)

**Installation, Operation &
Maintenance Manual**



ECR International, Inc.

2201 Dwyer Avenue • Utica, New York 13501

Ph: 800.325.5279 • Web: retroaire.com

P/N 240010329, Rev. B [02/15/2014]

TABLE OF CONTENTS

Receiving Information	3
Important Safety Information.....	4
Performance Data.....	5
Dimensional/Physical Data - R11C	6
Dimensional/Physical Data - R12C	7
Dimensional/Physical Data - R21C	8
Dimensional/Physical Data - R22 C/H & R23C /H.....	9
Dimensional/Physical Data - R24 C/H	10
Product Description	11
Installation Preparation	16
Installation Instructions — R11C.....	17
Installation Instructions — R12C.....	19
Installation Instructions — R21C.....	21
Installation Instructions — R22C R22H	23
Installation Instructions — R23C R23H	25
Installation Instructions — R24C R24H	27
Sequence Of Operation.....	29
Inspection & Start-Up	32
Maintenance	39
Troubleshooting.....	41
Electrical Specifications	42
Warranty	47

NOTICE

RetroAire™ replacement PTAC/PTHP is backed by ECR International and is tested and rated in accordance with: AHRI Standards 310/380 UL-484



Information and specifications outlined in this manual in effect at the time of printing of this manual. ECR International reserves the right to discontinue, change specifications or system design at any time without notice and without incurring any obligation, whatsoever.

RECEIVING INFORMATION

**Shipping damage MUST be reported to the carrier IMMEDIATELY.
Examine exterior.
Remove cover and examine compressor and piping for signs of damage.**

Inspection

Check shipment against bill of lading.
Verify equipment received as ordered.

Verify unit:

- Unit size and type correct per submittal sheet and job requirements?
- Voltage correct?
- Hydronic coil included, if required? Piping located as required?
- Factory installed options installed?
- All field installed options included?

Inspect each component for damage. Concealed damage **must** be reported to carrier within 15 days of receipt of shipment.

- Carrier must make proper notation on delivery receipt of all damage identified and complete carrier inspection report.

Purchaser must notify Manufacturer's Service department of all damage and is responsible for filing any necessary claims with carrier.

General Information

Installation shall be completed by qualified agency. Retain this manual and warranty for future reference.

Installer review this manual to verify unit has been installed correctly. Run unit for one complete cycle to verify proper function.

To obtain technical service or warranty assistance during or after installation, contact your local representative.

Visit our web site www.retroaire.com for local representative listing.

For further assistance call 1-800-325-5479.

When calling for assistance, please have following information ready:

Model Number _____

Serial Number _____

Date of installation _____

Customer Service : (800) 228-9364

IMPORTANT SAFETY INFORMATION

All field wiring shall conform to requirements of authority having jurisdiction or in absence of such requirements:

- United States - National Electrical Code, ANSI/NFPA 70
- Canada - CSA C22.1 Canadian Electrical Code Part 1.

WARNING

Fire, explosion, and electrical shock hazard. Improper installation could result in death or serious injury. Read this manual and understand all requirements before beginning installation.



Become Familiar With Symbols Identifying Potential Hazards.

DANGER

Indicates a hazardous situation which, if not avoided, WILL result in death or serious injury.

WARNING

Indicates a hazardous situation which, if not avoided, could result in death or serious injury.

CAUTION

Indicates a hazardous situation which, if not avoided, could result in minor or moderate injury.

NOTICE

Indicates information which should be followed to ensure proper installation and operation.

WARNING

Tampering with PTAC/PTHP is dangerous and could result in serious injury or death. Do not modify or change this unit.

Safety Information

- Installation by qualified personnel.
- Turn off electrical supply before servicing unit.
- Inspect all parts for damage prior to installation and start-up.
- Do not use unit if it has damaged wiring, is **not working** properly, or has been damaged or dropped.
- Connect to properly grounded electrical supply with proper voltage as stated on rating plate.
- Have proper over current protection (i.e. time- delay fuse/HACR Breaker) as listed on Rating Plate.
- Connect unit to properly grounded electrical supply. Do not fail to properly ground this unit.
- Tampering voids all warranties.

PERFORMANCE DATA

Table 1 Performance Data - Cooling

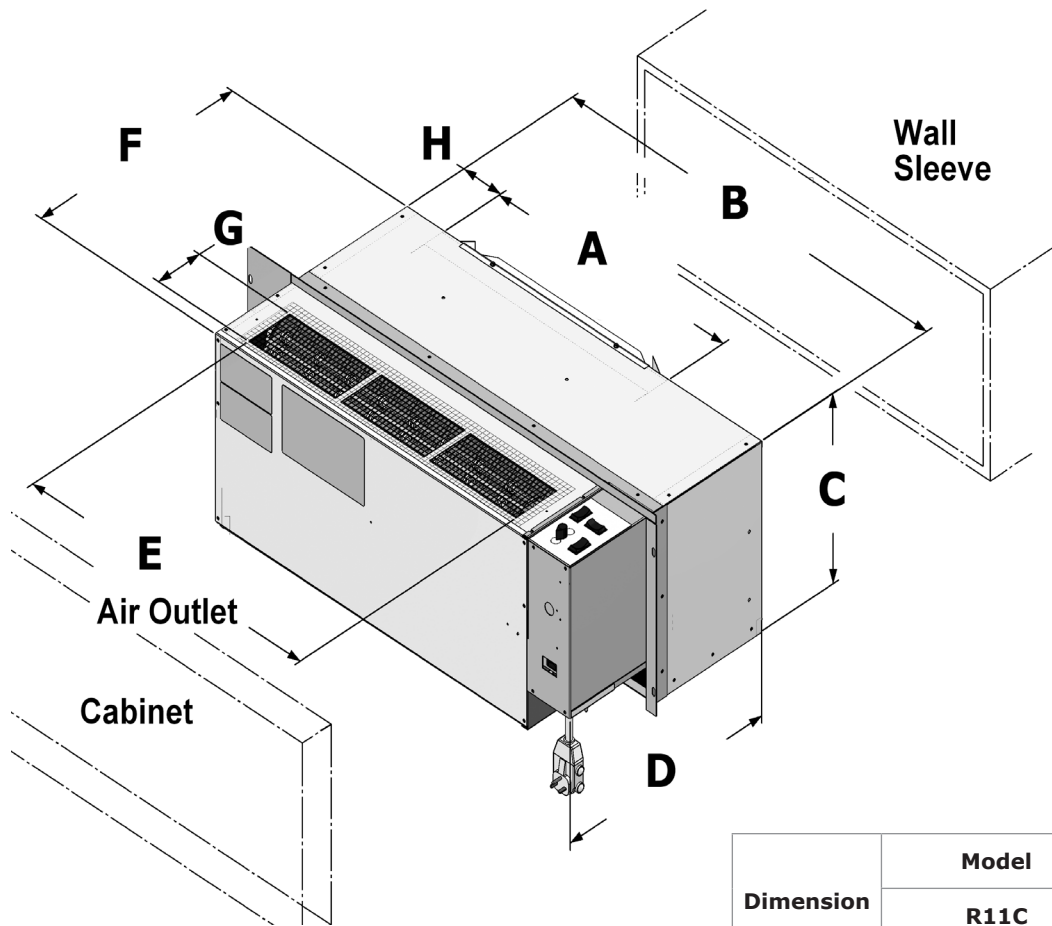
Models R11C R21C R22C R23C R24C	Voltage		Cooling Capacity	EER	Sensible Heat Ratio	Indoor Air Flow	Fresh Air Inlet Flow	Outdoor Sound Level	Shipping Weight		
			Btuh (kW)			CFM (L/S)	CFM (L/s)	dBa	lbs (Kg)		
R__C 09	A	115	9000 (2.7)	9.0	0.79	440 (207.7)	35 (17)	75	140 (63.5)		
	D	208/230	9400 (2.8)	8.9		350 (165.2)					
	E	265/277				440 (207.7)					
R__C 12 R12C 12	A	115	11900 (3.5)	8.4	0.66	400 (188.8)	50 (24)	69	140 (63.5)		
	D	208/230	11700 (3.4)			8.4				0.66	350 (165.2)
	E	265/277									440 (207.7)
R__C 15 R12C 15	D	208/230	14400 (4.2)	7.8	0.69	400 (188.8)	60 (28)	70	140 (63.5)		
	E	265/277				450 (212.4)					
R__C 18	D	208/230	15600 (4.6)	7.7	0.67	380 (179.3)	95 (45)	69	140 (63.5)		

Table 2 Performance Data - Heating

Models R22H R23H R24H	Voltage		Cooling Capacity	EER	Indoor Air Flow Cooling	Heating Capacity	COP	Indoor Air Flow Heating	Sensible Heat Ratio	Fresh Air Flow	Outdoor Sound Level	Shipping Weight
			Btuh (kW)		CFM (L/S)	Btuh (kW)		CFM (L/S)		CFM (L/S)	dBa	lbs (Kg)
R__H 09	D	208/230	8800 (2.6)	8.9	350 (165.2)	8500 (2.5)	2.7	400 (189)	0.79	35 (17)	75	140 (63.5)
	E	265/277	9400 (2.8)	8.8	440 (207.7)	9100 (2.7)		450 (212)				
R__H 12	D	208/230	11400 (3.3)	8.4	350 (165.2)	11200 (3.3)	2.6	400 (189)	0.66	50 (24)	69	
	E	265/277			400 (188.8)			450 (212)				
R__H 15	D	208/230	14000 (4.1)	7.8	400 (188.8)	14200 (4.2)	2.5	450 (212)	0.69	60 (28)	7070	
	E	265/277			450 (212.4)			500 (236)				

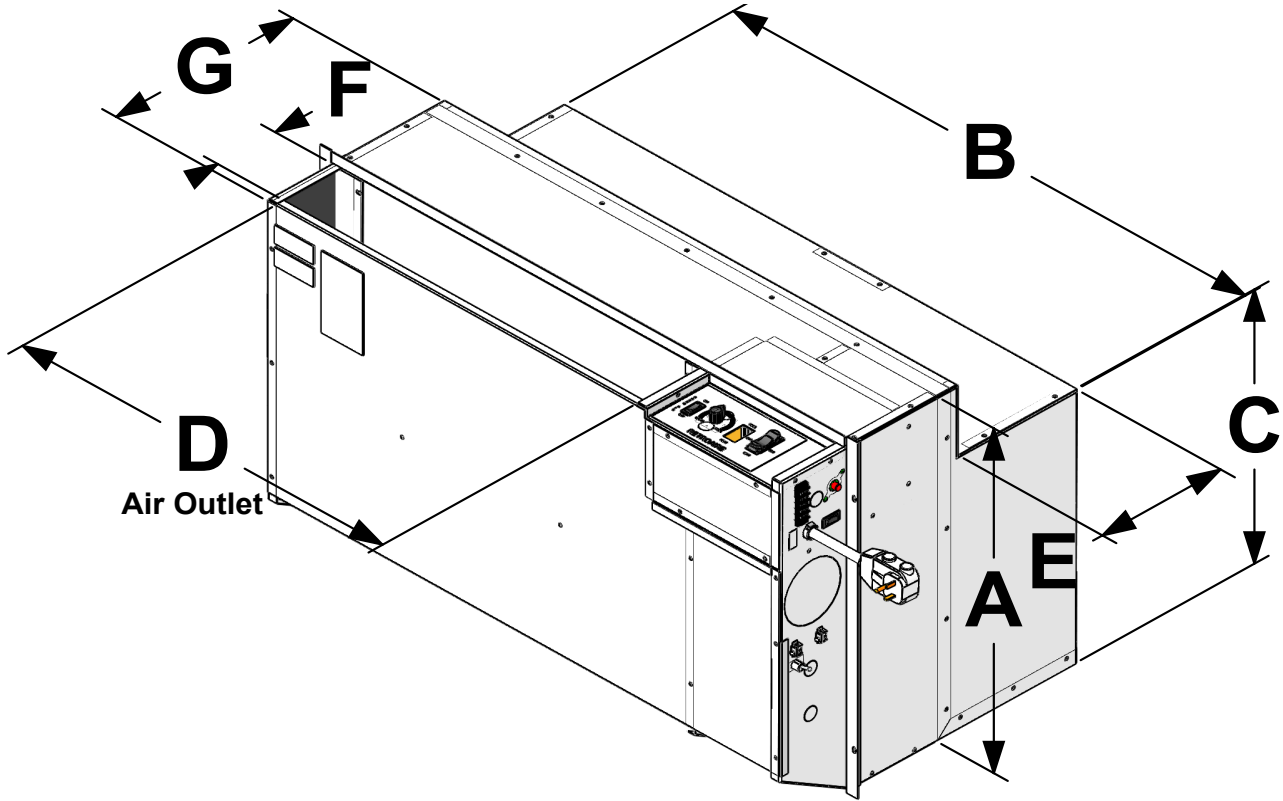
DIMENSIONAL/PHYSICAL DATA - R11C

Figure 1 - R11C Dimensions - Inches (mm)



Dimension	Model
	R11C in. (mm)
A	21.81 (554)
B	34.44 (875)
C	13.96 (355)
D	18.63 (473)
E	26.00 (660)
F	18.62 (473)
G	4.00 (102)
H	3.60 (91)

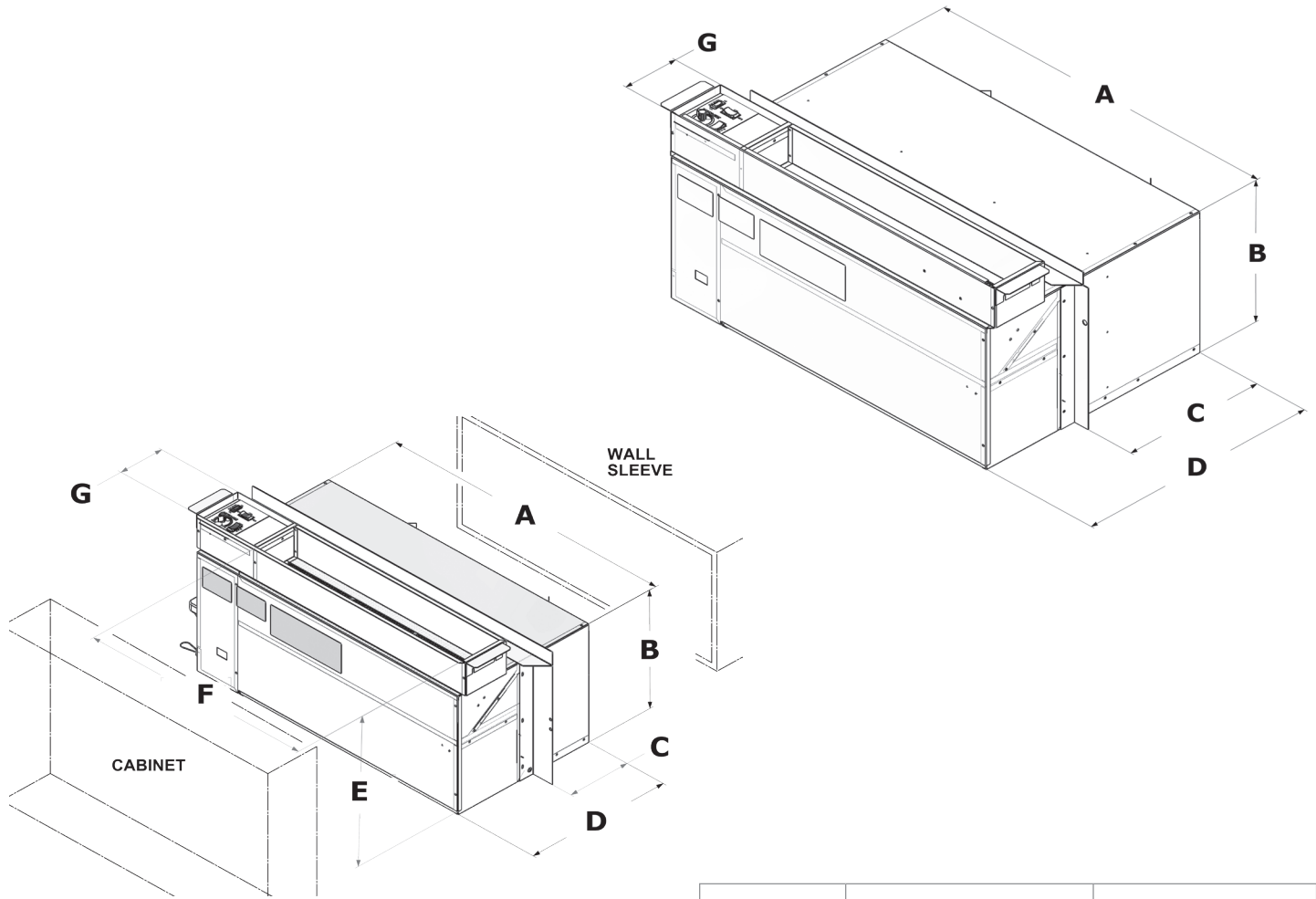
Figure 2 - R12C Chassis



Dimension	Model
	R12C in. (mm)
A	21.97 (558)
B	36.25 (921)
C	17.47 (444)
D	25.48 (647)
E	8.39 (213)
F	4.10 (104)
G	12.54 (318)
Weather Angle	4.66 (118)

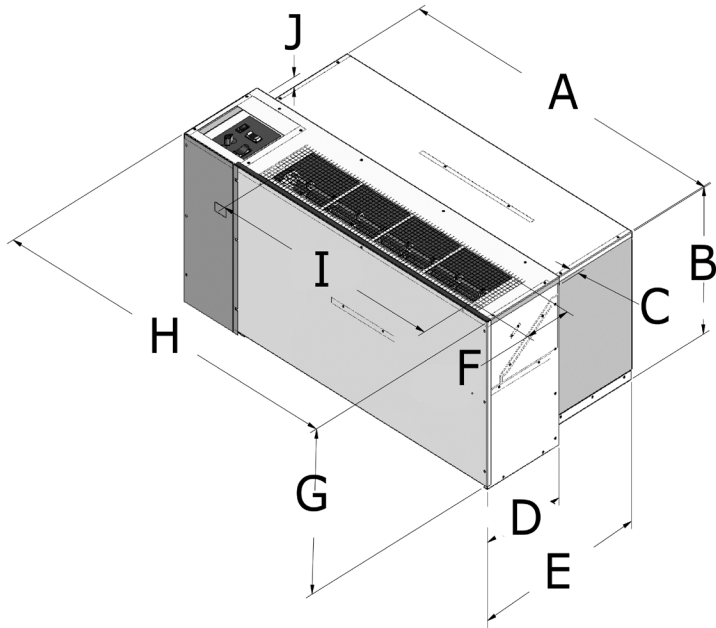
DIMENSIONAL/PHYSICAL DATA - R21C

Figure 3 - R21C Chassis



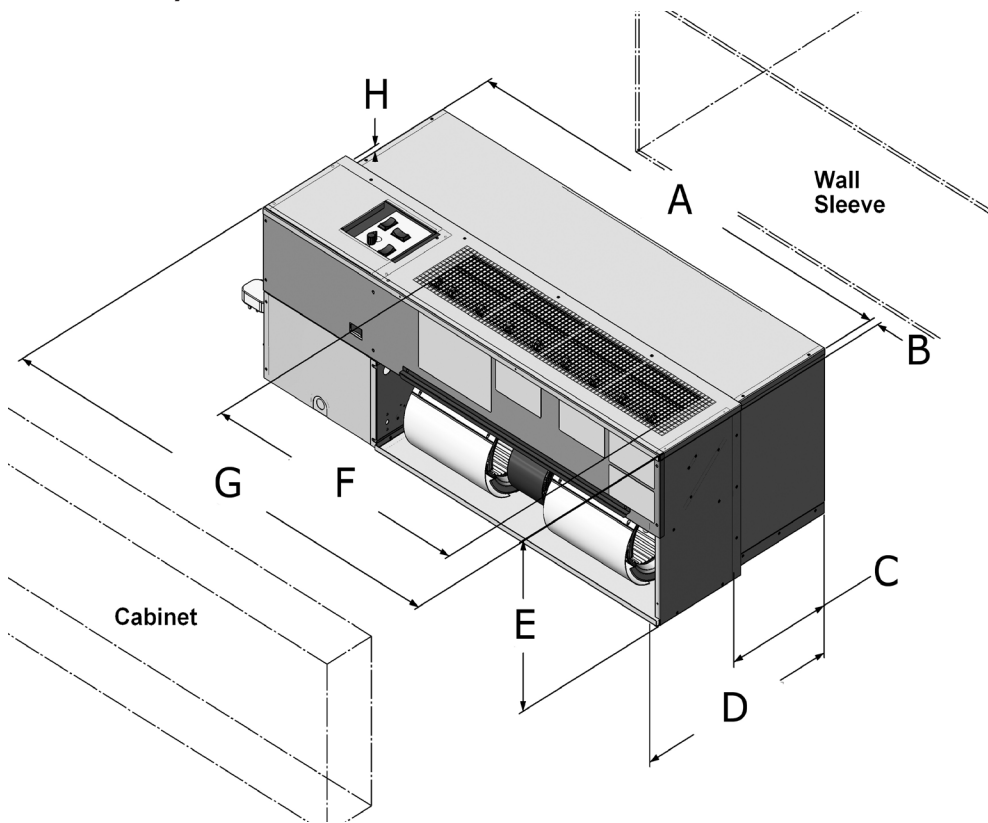
Dimension	Model	Model
	R21C (09 - 12) in. (mm)	R21C (15 -18) in. (mm)
A	35.88 (911.2)	35.88 (911.2)
B	14.78 (375.5)	14.78 (375.5)
C	7.75 (196.9)	14.40 (365.7)
D	20.25 (514)	24.34 (618.2)
E	18.98 (482.1)	-
F	28.28 (718.3)	-
G	5.66 (143.8)	5.66 (143.8)

Figure 4 - R22C/R22H Chassis



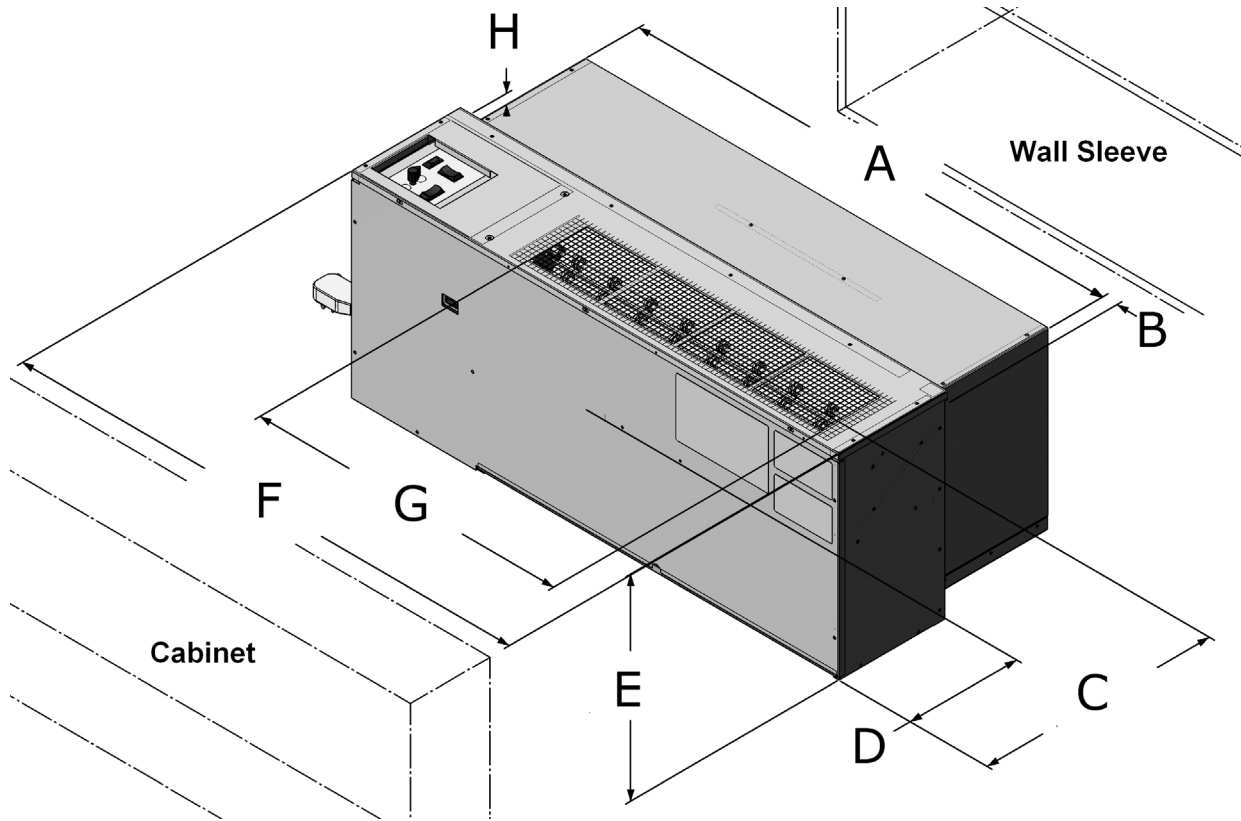
Dimension	Model
	R22C/R22H in. (mm)
A	35.89 (912)
B	14.98 (380)
C	.94 (24)
D	8.98 (228)
E	19.09 (485)
F	5.00 (127)
G	17 (432)
H	38.04 (966)
I	25.13 (638)
J	.96 (24)

Figure 5 - R23C/R23H Chassis



Dimension	Model
	R23C/R23H in. (mm)
A	42.16 (1071)
B	.78 (20)
C	9.95 (253)
D	19.21 (488)
E	15.05 (382)
F	25.13 (638)
G	43.67 (1109)
H	.50 (13)

Figure 6 - R24C/R24H Chassis



Dimension	Model
	R24C/R24H in. (mm)
A	40.02 (1017)
B	1.19 (30)
C	19.19 (487)
D	9.18 (233)
E	16.87 (429)
F	42.08 (1069)
G	25.38 (645)
H	.84 (21)

PRODUCT DESCRIPTION - R11C & R12C

Figure 7 - R11C Chassis

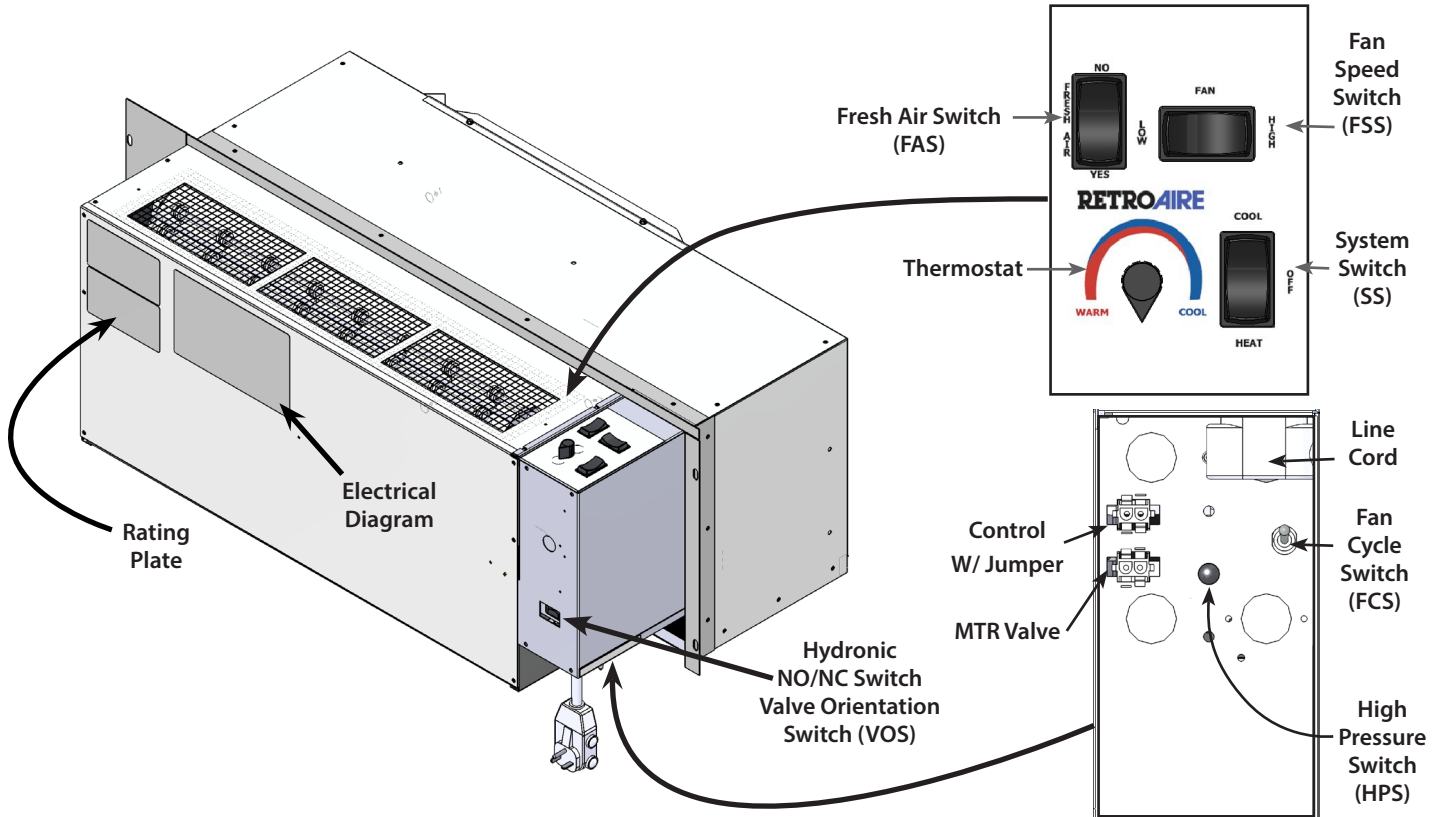


Figure 8 - R12C Chassis

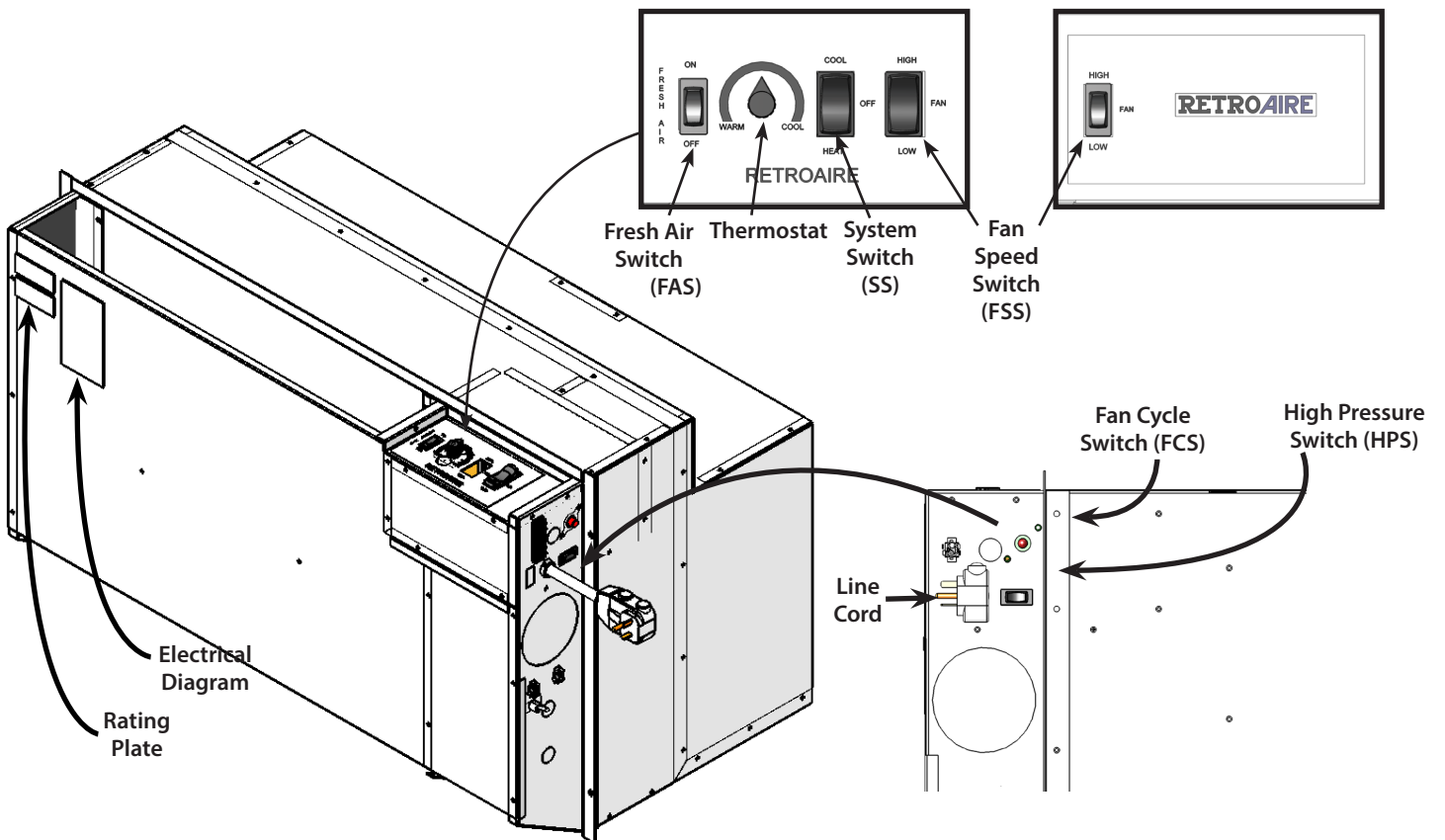


Figure 9 - R21C Chassis

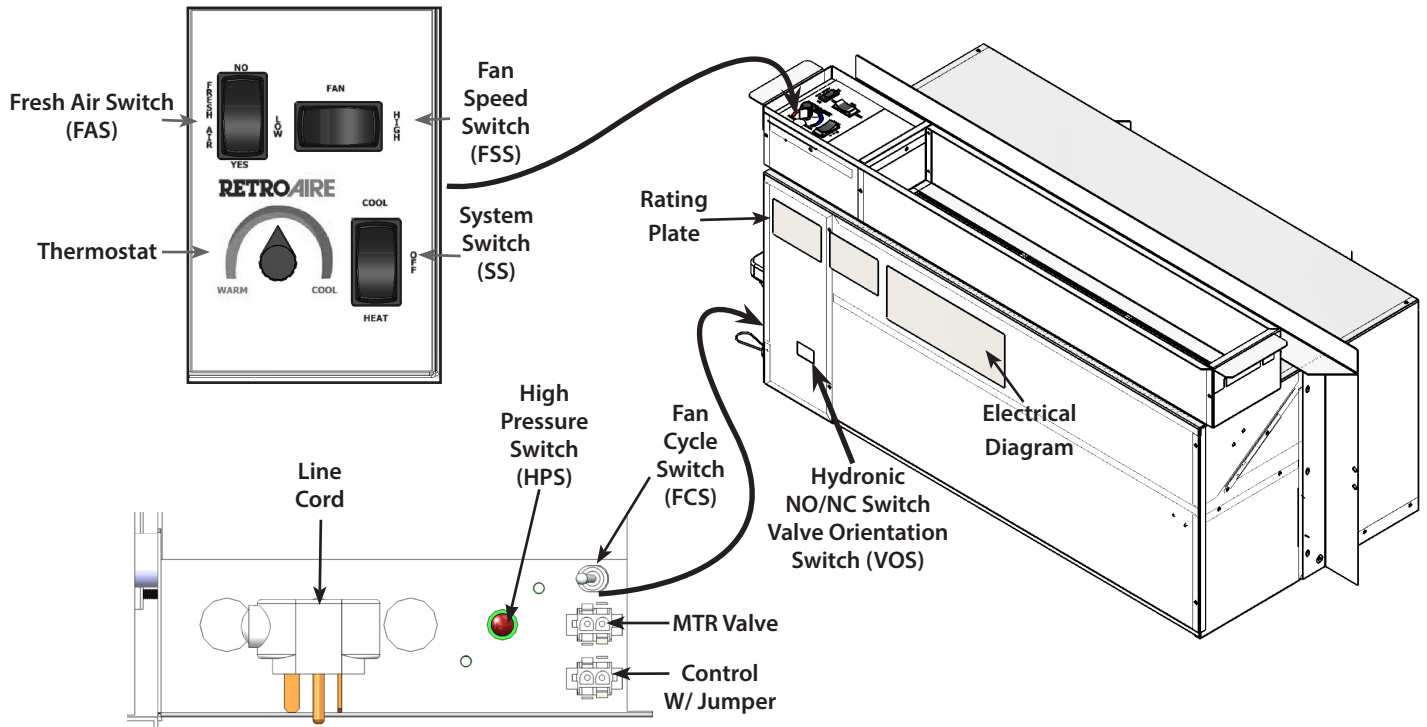


Figure 10 - R22C | R22H Chassis

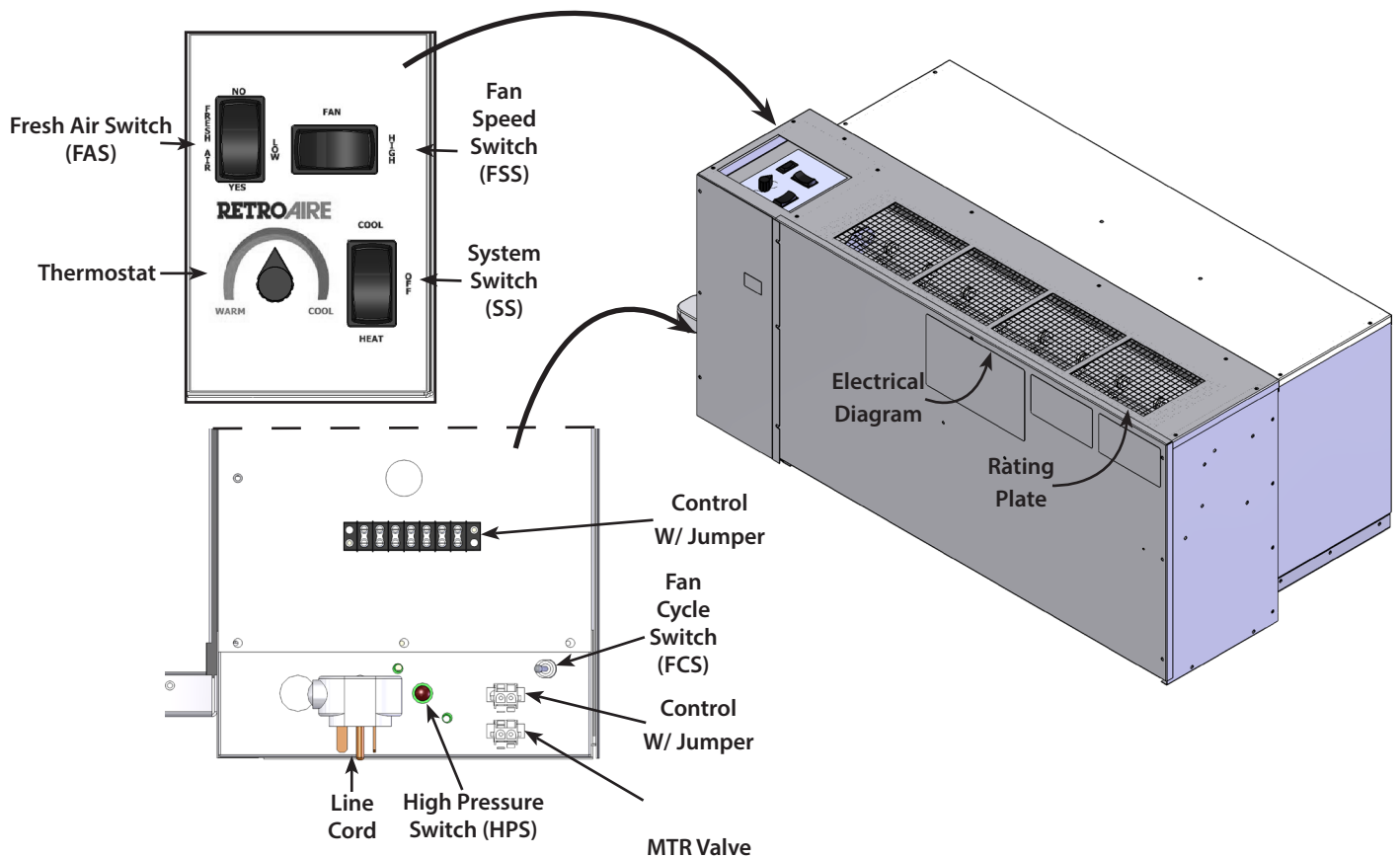


Figure 11 - R23C | R23H Chassis

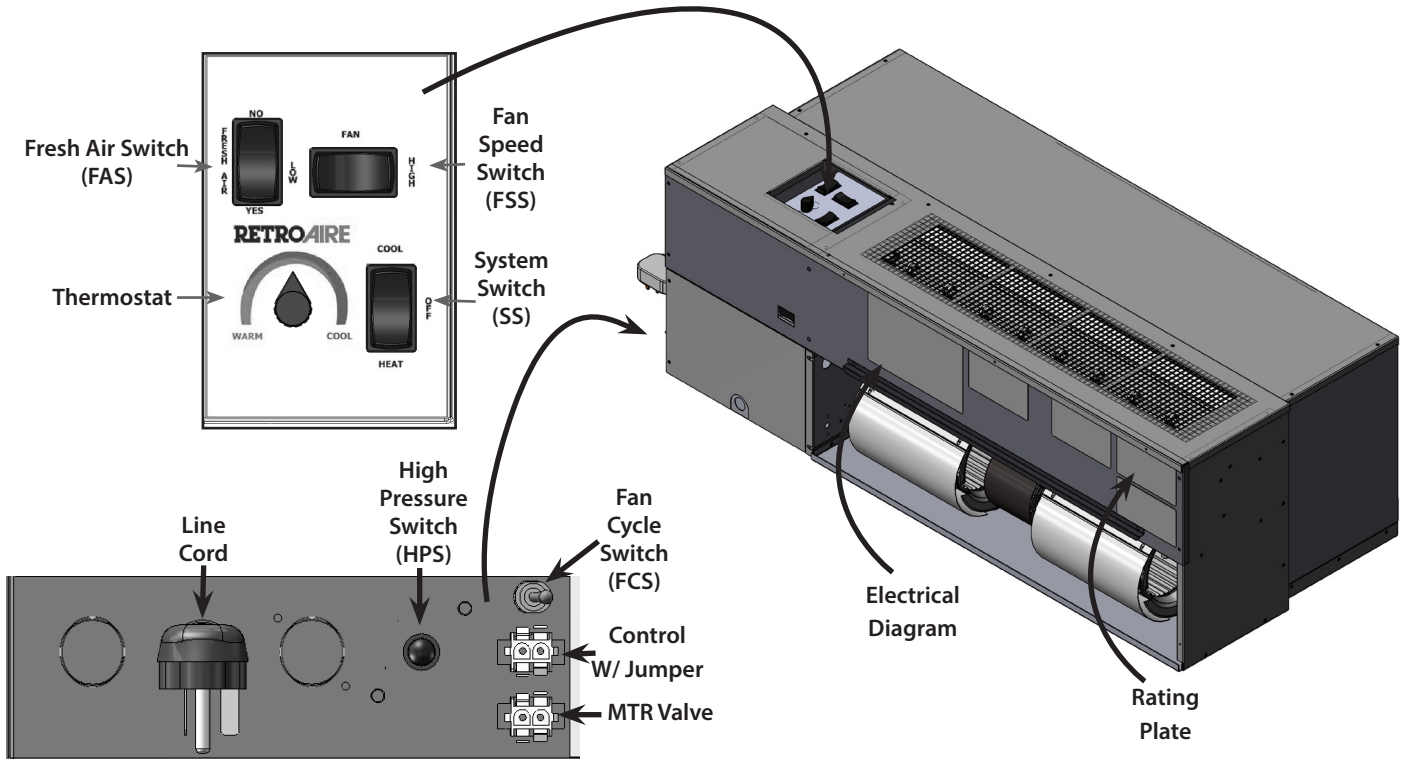
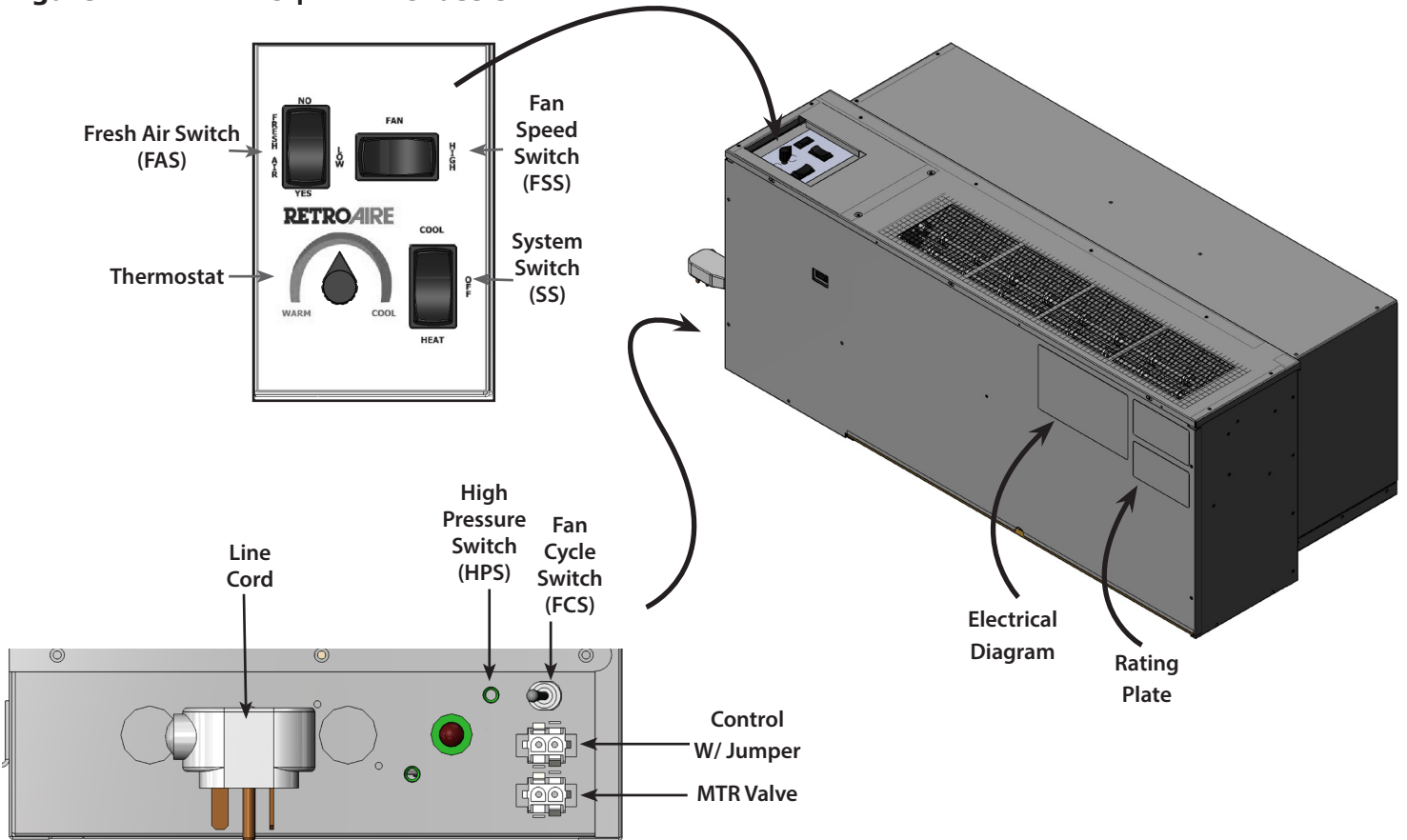


Figure 12 - R24C | R24H Chassis



PRODUCT DESCRIPTION

Product Description

- RetroAire Replacement Packaged Terminal Air Condition/Heat Pumps units are straight cooling (PTAC) or heat pump systems (PTHP).
- Both PTAC and PTHP configurations fit wall sleeves of units listed on front cover.
- Heat pumps (PTHP) operate in mechanical heat mode down to outdoor temperature of 40°F (4.4°C). Below 40°F (4.4°C) heating is accomplished by auxiliary heat option.

Retroaire PTAC/PTHP

- R-410A refrigerant. Refrigerant is not affected by phase out schedule.
- High-efficiency rotary compressors.
- Two fan speeds.
- Positive condensate re-evaporation.
- PTAC/PTHP units are available in nominal sizes of 9,000 Btuh, (2.6kW) 12,000 Btuh (3.5kW) or 15,000 Btuh (4.4kW).
- PTAC units (straight cooling only) are available at 18,000 Btuh (5.3kW).
- Coefficient of performance (COP) ratings 2.90 for heat pumps.

Standard Controls And Components

Construction

- Condenser baffle options accommodate extended wall sleeve applications. (Consult manufacturer).
- Powder-coated condenser and evaporator drain pan.
- Foam strip seal for supply air duct.
- Weather strip insulation.

Air Systems

- Thermally-protected motor PSC type.
- Indoor fan forward curved type, directly mounted to motor shaft.
- Unit mount controls include field selection switch to control indoor fan by either cycling with compressor operation or continuously with unit.

Condensate Removal

- Outdoor fan incorporates condensate slinger ring. Condensate is thrown onto coil, where it evaporates.
- Thermostatic drain pan valve for condensate elimination when outdoor temperature drops below 60°F (15°C) (heat pump units only).

Controls

- Unit-mounted operating controls include thermostat, fan speed control, heat/cool switch, fan cycle switch, fresh air switch (if equipped).
- Use of 1-stage or 2-stage thermostat. 2 stage thermostat is capable of activating emergency heat if auxiliary heat source is available.
- Low ambient protection — see "Microprocessor control board" for details page 29.
- Ability to control a normally-open or normally-closed motor valve switch (on hydronic heat units only). Valve controls must be ordered for 24V or line voltage.
- All hydronic heat units include molex plugs for connection of hydronic valve motor.
- Remote mount controls include fan speed control and fresh air switch (if equipped).
- Equipped with manual reset high pressure switch which prevents abnormal high pressure operation.

Microprocessor Control Board

- Universal control board used in straight cooling, electric resistance heat, hydronic heat, or cooling/heat pump applications.
- Random start timer prevents multiple units from simultaneous startups after power interruption or on initial power-up.
- Fan purge — fan remains on for 60 seconds after heat/cool is satisfied.
- Anti-short-cycle compressor protection prevents compressor from rapid cycling.
- Freeze-protection prevents evaporator coil freeze up.
- Low ambient lockout prevents compressor operation in outdoor temperatures less than 40°F (4.4°C). (On PTHP units supplied with unit-mounted control, control causes automatic changeover to auxiliary heat, if installed.)
- Test operation — all timers are temporarily suppressed to allow ease of testing or troubleshooting.
- Control board LED provides self-diagnostic troubleshooting codes, see "Sequence of Operation" page 29.

PRODUCT DESCRIPTION

Manufacturer Installed Options (Consult manufacturer)

- 265/277V(12 and 15 only)
- 115V (09 &12 Models Only)
- Corrosion-resistant coil option — used for seacoast and harsh-environment usage; coated aluminum fin/copper tube condenser coil.
- Motorized fresh-air damper
- Supplemental electric heat
- Hydronic heat controls
- Front air intake

Field-Installed Accessories

- Hydronic heat — coil assembly is shipped loose for field installation.
- Remote wall thermostat — digital 1-stage or 2-stage available.
- Wall sleeves, louvers, and cabinets.
- Control - delays fan start-up until coil reaches 100°F (38°C) to virtually eliminate "cold" blow condition.
- Hydronic control valve , Water 2 way & 3 way.
- Hydronic control valve, Steam 2 way.
- Hydronic Isolation valve, 1/2 in Sweat Connection.

WARNING

Electrical shock hazard. Before opening existing unit, open power supply disconnect switch. Secure switch in open position during installation. Attach sign stating "DO NOT TURN ON".

Unplug existing unit at wall outlet on plug and receptacle connection units. DO NOT plug new unit until installation is complete and start-up checklist is completed.

Failure to follow these instructions could result in death or serious injury.

WARNING

Moving parts if not avoided, could result in death or serious injury. Avoid contact with moving parts when testing or servicing unit.

Electrical Supply

- All field wiring shall conform to requirements of authority having jurisdiction or in absence of such requirements:
 - United States - National Electrical Code, ANSI/NFPA 70
 - Canada - CSA C22.1 Canadian Electrical Code Part 1.
- **UNITS RATED 208/230V** — RetroAire unit is wired for 230v primary voltage from manufacture. Transformer must be rewired by installer if jobsite voltage is 208v. Change transformer tap from orange to red. See wiring diagram for details.
- Protect with separate branch circuit protected by fuse or breaker. Refer to unit rating plate for proper wire and breaker or fuse size.
- Use of extension cords is prohibited.
- DO NOT connect RetroAire unit to circuit with incorrectly-sized over current protection device.
- All cord-connected 265 volt units must be plugged into receptacles within unit subbase or chassis.

Verify existing wall sleeve/enclosure:

- Use RetroAire replacement PTAC/PTHP's with metal wall sleeves.
- Secure existing front panels by screws that prevent contact with all parts.
- Minor dimensions of openings must not exceed ½ inch (12.5mm).
- Dimensions of indoor air discharge grill shall be not less than 26" x 4". Grill shall separate top surface of chassis from top surface of discharge grill by minimum of 1 in (25.4mm).
- For all models, outdoor openings must prevent contact of all moving parts by means of louvers or grills, with minor dimension not exceeding 1 in (25.4mm).

Electrical Power Connection

1. Verify RetroAire unit rating plate for circuit ampacity and required breaker or fuse size.
2. Verify existing breaker or fuse is correct size.
 - Replace breaker or fuse if incorrectly sized.
 - Breakers shall be type HACR only.
3. Cord-connected units — verify wall outlet is correct rating. Outlet's blade configuration must match cord supplied with RetroAire unit.
4. Hard-wired units — verify power wiring is correctly sized. Inspect existing wiring for cuts or frayed wires. Replace any damaged wiring.

Remove Old Chassis

1. Disconnect power or unplug cord before proceeding.
2. Remove front of existing room enclosure to expose old chassis.
3. Loosen tie-down bolts or screws and remove old chassis.

NOTICE

Dispose of old chassis following existing State and/or Federal regulations.

4. Inspect wall sleeve/cabinet for rust, holes, or damage.
 - A. Clean wall sleeve of any dirt.
 - B. Repair any damage.
 - C. Verify proper drainage of condensate or rainwater to exterior of building.
5. Remove or repair old weather seals. Make note of location for installation of new seals.
6. Check wall sleeve/cabinet to ensure all drain holes are open and:
 - A. Wall sleeve/enclosure is level left to right
 - B. Back is pitched to outside by ½ in (12.5mm) maximum.
7. Inspect outdoor louver for minimum free area of 70%. Remove any obstructions before installing new chassis.
8. Read and understand all instructions in this manual before attempting installation or operation.

Installation - R11C

1. Verify existing wall thickness — distance from condenser coil to outdoor louver varies with sleeve depth.
 - Unit(s) ship standard with 1-3/8" (35mm) & 1-1/8" (38mm) baffles. Figure 16, page 18.
 - Optional condenser-side air baffle kit for chassis installation in deeper-than-standard wall sleeves is available.
2. Verify weather angles — Slide unit into wall sleeve.
 - If supply duct on cooling chassis does not line up with supply vent on room cabinet, adjust or change factory installed weather angle on top and sides. Allow for adjustment to align supply vent when mounting unit to wall sleeve Figure 14.
 - Slide unit back in wall sleeve to verify proper fit after adjustment.
3. Install baffles — Slide unit back out of wall sleeve. Remove both supplied sets of baffles from kit bag. Install only one set of left and right side baffles on condenser coil by completing following steps:
 - A. Verify baffles come in contact with outdoor louver.
 - B. Verify baffles are directed inward toward center of coil Figure 13.
 - C. Secure baffles tightly into existing holes of condenser coil using screws provided.

NOTICE

Install correct condenser air baffles or performance may be impaired.

4. Apply 2" x 1-1/2" open-cell foam strips around supply air duct to ensure all conditioned air is delivered into room Figure 15. Failure to do so results in recirculation of conditioned air through cabinet causing unit to short cycle and coil to freeze.
5. Apply 1" x 1" open-cell foam strips to weather angle. Prevents outside air from entering around chassis to room from sides and top of cabinet. Install strips between wall sleeve and cooling chassis Figure 16, page 18. Verify solid air seal between wall sleeve and chassis. Air leakage from outdoor to indoor will result in system problems (example — coils freezing, short cycling, and constant running of unit).
6. Connecting (optional) hydronic coil controls — If hydronic heat option has been ordered, hydronic coils will need to be field installed on new unit.
 - A. Hydronic coils are not factory installed and need to be ordered.
 - B. Coil with old unit can be located in subbase, under chassis in special attachment. It is necessary to know where coil is to be located and physical size of coil if ordered for replacement. New coil should be installed in same manner as coil it is replacing.

Figure 13 - Condenser Baffles

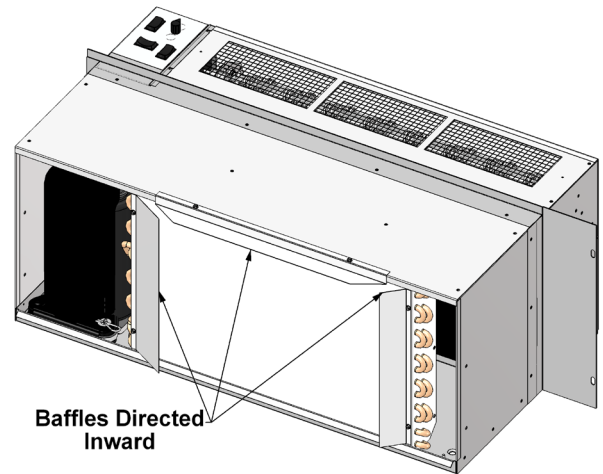


Figure 14 - Weather Angles

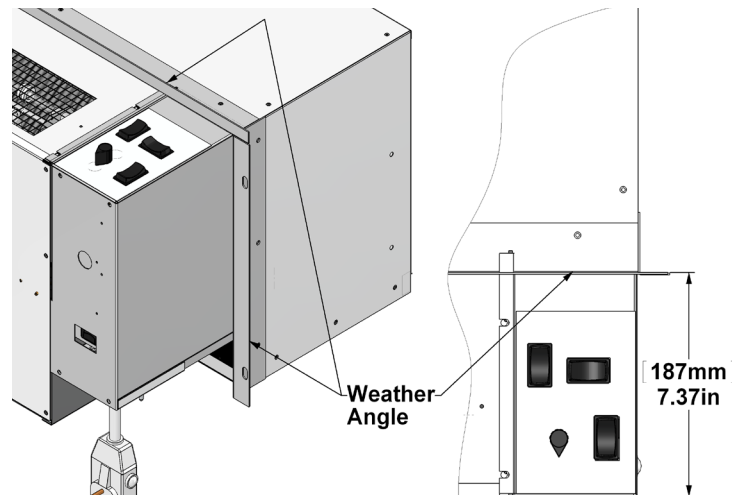


Figure 15 - Foam Installation

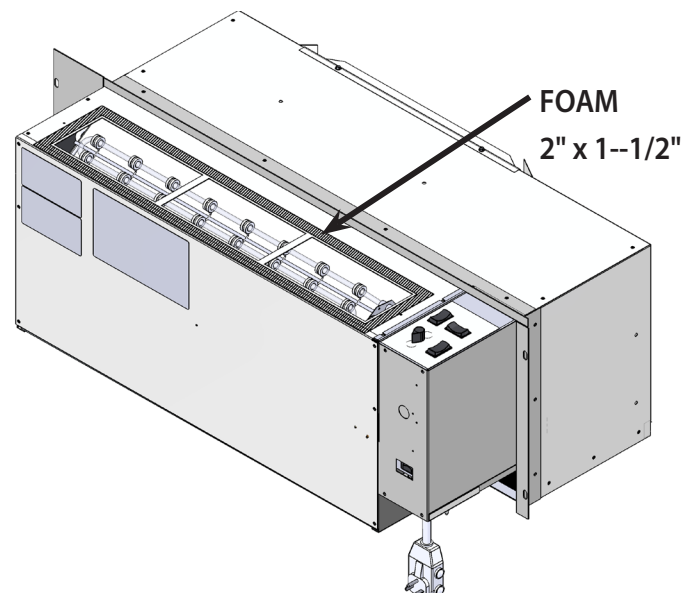
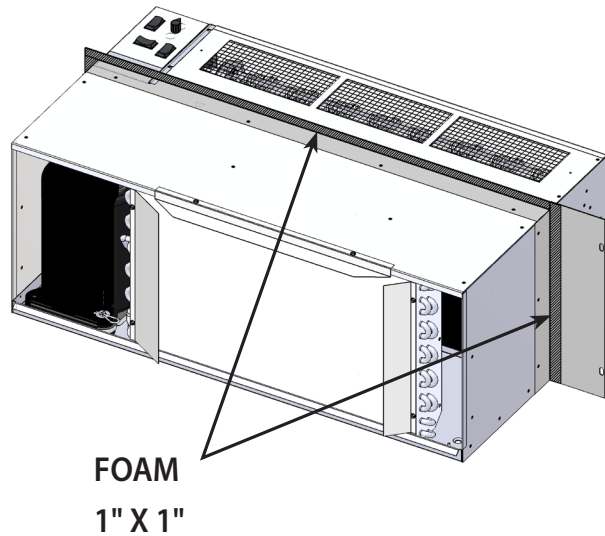


Figure 16 - Baffle Install



- Remove 2-position connector assembly from kit bag supplied with unit (2 yellow wires attached).
 - Connect 2-position connector to 2-position connection located on bottom of control box panel.
7. **Field install (optional) Control**
 - A. Remove black jumper wire located on bottom panel of control box (*also terminated with 2-position connector*).
 - B. Cut jumper wire in middle and splice Control to jumper.
 - C. Place connector back into original location. Refer to wiring diagram on unit for details.
 8. **Secure chassis**
 - Verify all seals are properly located,
 - Correct baffles are attached to condenser coil, and properly orientated,
 - Slide unit into final position and tighten tie down bolts or screws as necessary.
 9. **Hard-wired units** — If unit is hard wired, follow instructions on pages 41-44 to verify existing wiring and over current protection.
 - A. Remove line cord wires from PTAC/PTHP power entrance terminals.
 - B. Route power supply wiring through strain-relief bushing and connect leads to power entrance terminals.
 - C. Secure strain-relief clamp. (If wiring is through conduit, insert conduit through control box knockout and secure in place.)
 - D. **DO NOT** turn on power until completing instructions in "Final Inspection and Startup" on page 33.
 10. **Do Not Plug LINE CORD In, If In Used Condition.** Follow instructions in "Final Inspection and Startup", page 33.

Installation - R12C

1. Verify existing wall thickness — distance from condenser coil to outdoor louver varies with sleeve depth.
 - Two sets of air baffles are included with each unit to accommodate most installation requirements.
 - Other air baffle kits are available from manufacturer (for unique applications).
2. Verify weather angles — Slide unit into wall sleeve.
 - If supply duct on cooling chassis does not line up with supply vent on room cabinet, factory installed weather angle on top and sides may have to be replaced.
 - Allow for adjustment to align supply vent when mounting unit to wall sleeve Figure 17.
 - Slide unit back in wall sleeve to verify proper fit after adjustment.
3. Install baffles — Slide unit back out of wall sleeve. Remove both supplied sets of baffles from kit bag. Install only one set of left and right side baffles on condenser coil by completing following steps:
 - A. Verify baffles come in contact with outdoor louver.
 - B. Verify baffles are directed inward toward center of coil Figure 18.
 - C. Secure baffles tightly into existing holes of condenser coil using screws provided.

NOTICE

Install correct condenser air baffles or performance may be impaired.

4. Apply 1" x 1" open-cell foam strips around supply air duct to ensure all conditioned air is delivered into room Figure 19. Failure to do so results in recirculation of conditioned air through cabinet causing unit to short cycle and coil to freeze.
5. Apply 1" x 1" open-cell foam strips to weather angle. Prevents outside air from entering around chassis to room from sides and top of cabinet.
Install strips between wall sleeve and cooling chassis Figure 20, page 20. Verify solid air seal between wall sleeve and chassis. Air leakage from outdoor to indoor will result in system problems (example: coils freezing, short cycling, and constant running of unit).
6. Connecting (optional) hydronic coil controls — If hydronic heat option has been ordered, hydronic coils will need to be field installed on new unit.
 - A. Hydronic coils are not factory installed and need to be ordered.
 - B. Coil with old unit can be located in subbase, under chassis in special attachment. It is necessary to know where coil is to be located and physical size of coil if ordered for replacement. New coil should be installed in same manner as coil it is replacing.

Figure 17 - Weather Angle - Factory Location

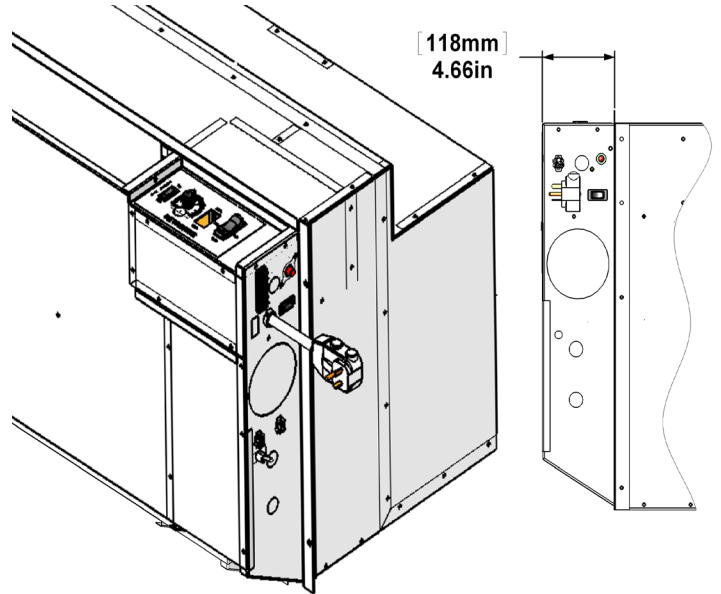


Figure 18 - Condenser Baffles

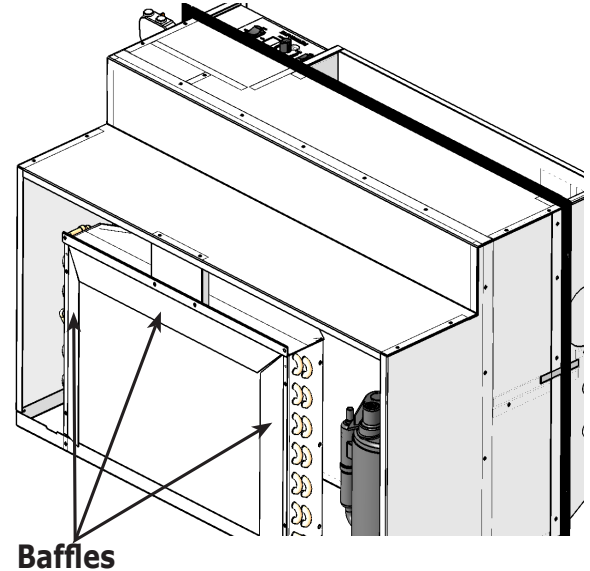


Figure 19 - Direction of Baffles and Foam Installation

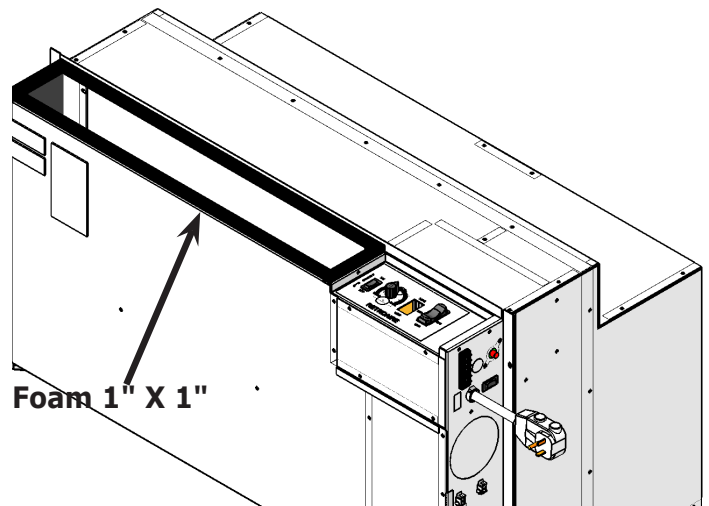
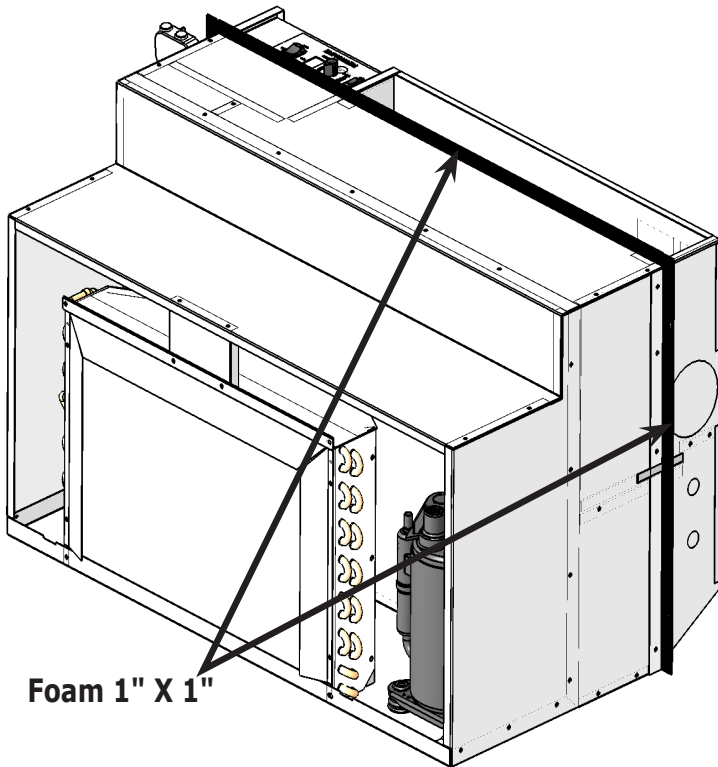


Figure 20 - Foam Tape Installation Against Wall Sleeve



- Remove 2-position connector assembly from kit bag supplied with unit (2 yellow wires attached).
- Connect 2-position connector to 2-position connection located on bottom of control box panel.

7. Field install (optional) Control

- A. Remove black jumper wire located on bottom panel of control box (*also terminated with 2-position connector*).
- B. Cut jumper wire in middle and splice Control to jumper.
- C. Place connector back into original location. Refer to wiring diagram on unit for details.

8. Secure chassis

- Verify all seals are properly located,
- Correct baffles are attached to condenser coil, and properly orientated,
- Slide unit into final position and tighten tie down bolts or screws as necessary.

9. Hard-wired units — If unit is hard wired, follow instructions on pages 41-44 to verify existing wiring and over-current protection.

- A. Remove line cord wires from PTAC/PTHP power entrance terminals.
- B. Route power supply wiring through strain-relief bushing and connect leads to power entrance terminals.
- C. Secure strain-relief clamp. (If wiring is through conduit, insert conduit through control box knockout and secure in place.)
- D. **DO NOT** turn on power until completing instructions in "Final Inspection and Startup" on page 33.

10. Do Not Plug LINE CORD In, If In Used Condition.

Follow instructions in "Final Inspection and Startup" page 33.

Installation - R21C

1. Verify existing wall thickness — distance from condenser coil to outdoor louver varies with sleeve depth.
 - Chassis includes standard air baffles to accommodate most common condenser coil to outdoor louver requirements
 - Optional condenser-side air baffle kit for chassis installation in deeper than standard walls is available from manufacturer.
 - Weather angles are fixed and need no adjustment.
2. Verify air supply alignment — slide unit into wall-sleeve. Supply duct on cooling chassis should line up with supply vent on room cabinet.
3. Install baffles — Slide unit back out of wall sleeve. Remove both supplied sets of baffles from kit bag. Install only one set of left and right side baffles on condenser coil by completing following steps:
 - A. Verify baffles come in contact with outdoor louver.
 - B. Verify baffles are directed inward toward center of coil. Figures 21 through 23.
 - C. Secure baffles tightly into existing holes of condenser coil using screws provided.

NOTICE

Install correct condenser air baffles or performance may be impaired.

4. Apply 1/2" x 1/2" open-cell foam strips around supply air duct to ensure all conditioned air is delivered into room. See Figure 24, page 22. Failure to do so results in recirculation of conditioned air through cabinet causing unit to short cycle and coil to freeze.
5. Apply 1" x 1" open-cell foam strips to weather angle. Prevents outside air from entering around chassis to room from sides and top of cabinet.
Install strips between wall sleeve and cooling chassis See Figure 24 page 22. Verify solid air seal between wall sleeve and chassis. Air leakage from outdoor to indoor will result in system problems (example — coils freezing, short cycling, and constant running of unit).
6. Connecting (optional) hydronic coil controls — If hydronic heat option has been ordered, hydronic coils will need to be field installed on new unit.
 - A. Hydronic coils are not factory installed and need to be ordered.
 - B. Coil with old unit can be located in subbase, under chassis in special attachment. It is necessary to know where coil is to be located and physical size of coil if ordered for replacement. New coil should be installed in same manner as coil it is replacing.
 - C. Remove 2-position connector assembly from kit bag supplied with unit (2 yellow wires attached).
 - D. Connect 2-position connector to 2-position connection located on bottom of control box panel.

Figure 21 - Direction Of Baffles

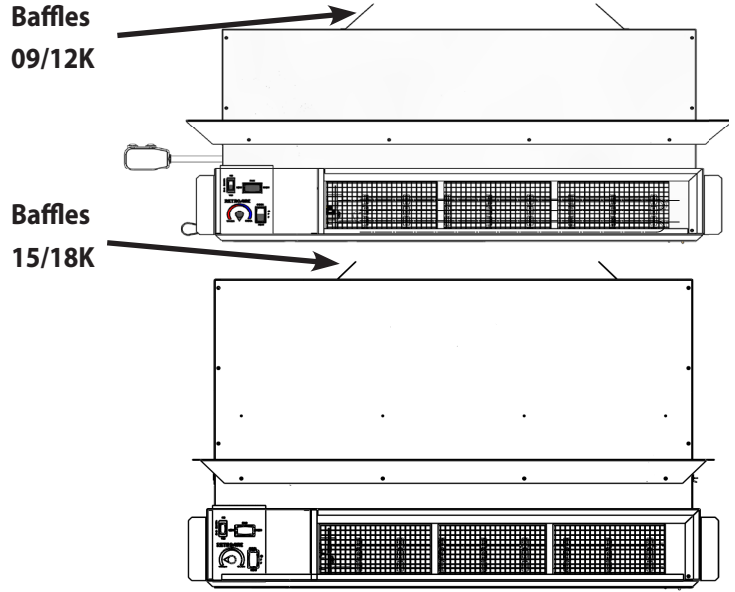


Figure 22 - Direction Of Baffles

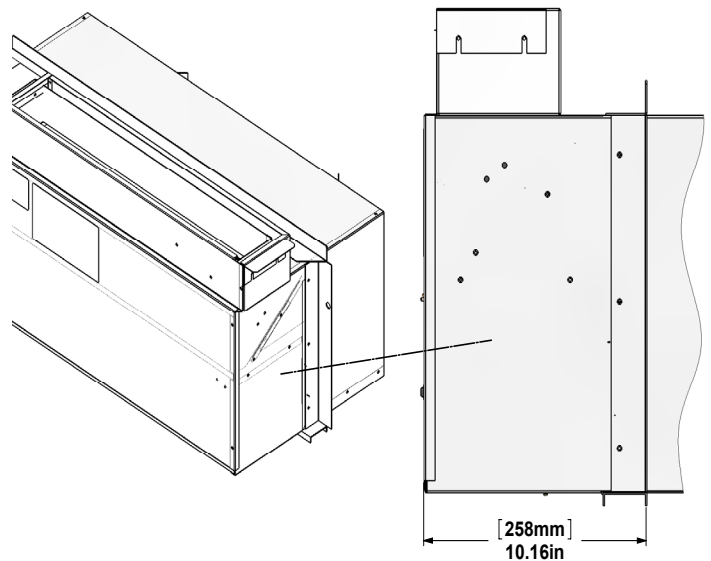


Figure 23 -Direction Of Baffles And Foam Installation

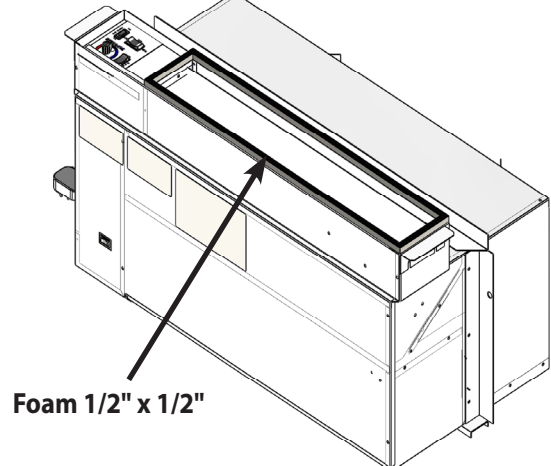
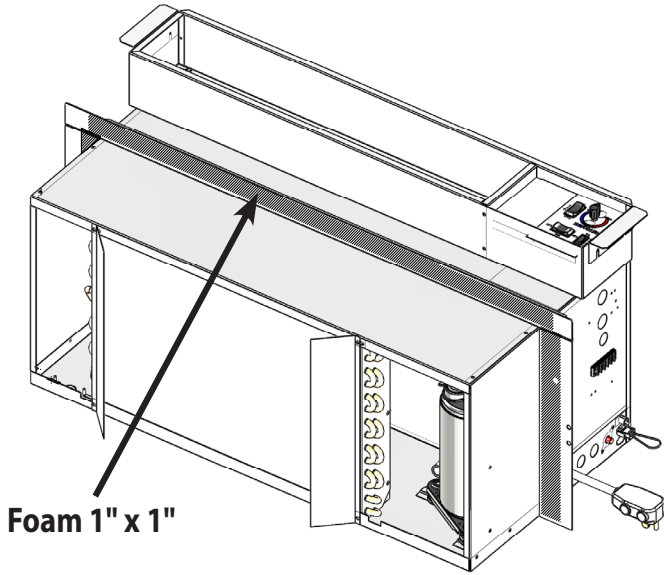


Figure 24 - Front View Of Chassis



7. Field install (optional) Control

- A. Remove black jumper wire located on bottom panel of control box (also terminated with 2-position connector).
- B. Cut jumper wire in middle and splice control to jumper.
- C. Place connector back into original location. Refer to wiring diagram on unit for details.

8. Secure chassis

- Verify all seals are properly located,
- Correct baffles are attached to condenser coil, and properly orientated,
- Slide unit into final position and tighten tie down bolts or screws as necessary.

9. Hard-wired units – If unit is hard wired, follow instructions on pages 41-44 to verify existing wiring and over current protection.

- A. Remove line cord wires from PTAC/PTHP power entrance terminals.
- B. Route power supply wiring through strain-relief bushing and connect leads to power entrance terminals.
- C. Secure strain-relief clamp. (If wiring is through conduit, insert conduit through control box knockout and secure in place.)
- D. DO NOT turn on power until completing instructions in "Final Inspection and Startup" on page 33.

10. Do Not Plug Line Cord In, If In Used Condition.

Follow instructions in "Final Inspection and Startup" on page 33.

Installation - R22C/R22H

1. **Verify existing wall thickness** – distance from condenser coil to outdoor louver varies with sleeve depth.
 - Units are shipped with baffles factory installed
2. Apply 1/2" x 3/4" open-cell foam strips around supply air duct to ensure all conditioned air is delivered into room. See Figure 27. Failure to do so results in recirculation of conditioned air through cabinet causing unit to short cycle and coil to freeze.
3. Apply 1/2" x 3/4" open-cell foam strips to weather angle. Prevents outside air from entering around chassis to room from sides and top of cabinet.

Install strips between wall sleeve and cooling chassis
See Figure 27. Verify solid air seal between wall sleeve and chassis. Air leakage from outdoor to indoor will result in system problems (example – coils freezing, short cycling, and constant running of unit).

4. **Install mounting brackets, 2 each**
 - A. Remove 1/4" hex screw from middle of unit.
 - B. Install bracket using 1/4" hex screw, 2 sides. See Figures 25 and 27.
5. **Connecting (optional) hydronic coil controls** – If hydronic heat option has been ordered, hydronic coils will need to be field installed on new unit.
 - A. Hydronic coils are not factory installed and need to be ordered.
 - B. Coil with old unit can be located in subbase, under chassis in special attachment. It is necessary to know where coil is to be located and physical size of coil if ordered for replacement. New coil should be installed in same manner as coil it is replacing.
 - C. Remove 2-position connector assembly from kit bag supplied with unit (2 yellow wires attached).
 - D. Connect 2-position connector to 2-position connection located on bottom of control box panel.

6. **Field install (optional) Control**
 - A. Remove black jumper wire located on bottom panel of control box (also terminated with 2-position connector).
 - B. Cut jumper wire in middle and splice Control to jumper.
 - C. Place connector back into original location. Refer to wiring diagram on unit for details.
7. **Secure chassis**
 - Verify all seals are properly located,
 - Correct baffles are attached to condenser coil, and properly orientated,
 - Slide unit into final position and tighten tie down bolts or screws as necessary.

Figure 25 - Baffles

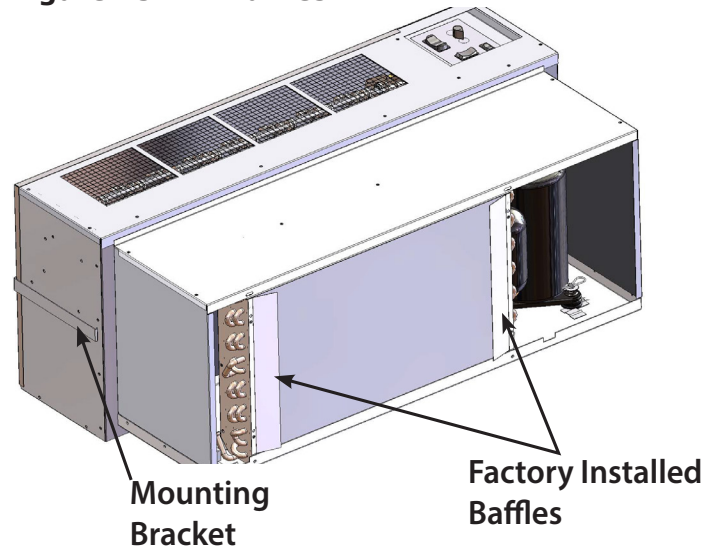


Figure 26 - Wall Sleeve Stop Location (Weather Seal)

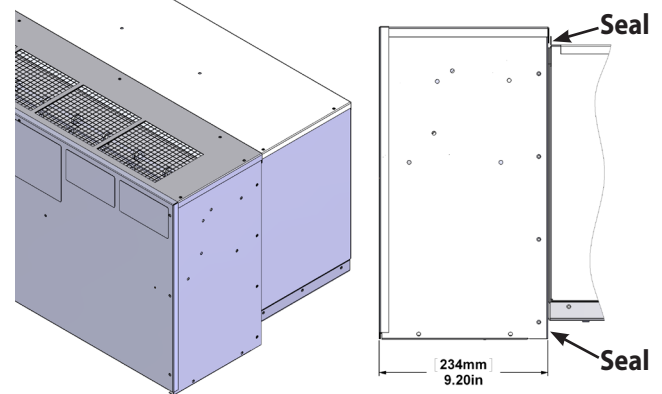


Figure 27 - Foam Installation

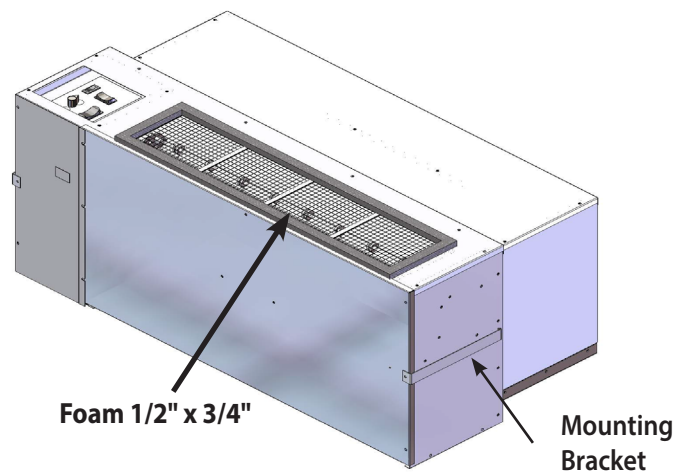
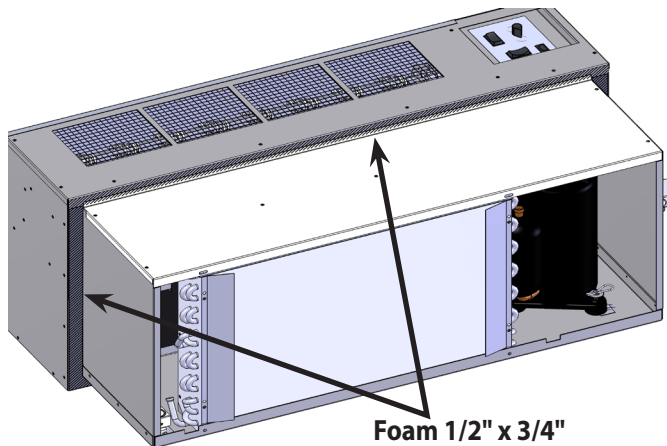


Figure 28 - Foam Installation Weather Seal



8. **Hard-wired units** — If unit is hard wired, follow instructions on pages 41-44 to verify existing wiring and over current protection.
 - A. Remove line cord wires from PTAC/PTHP power entrance terminals.
 - B. Route power supply wiring through strain-relief bushing and connect leads to power entrance terminals.
 - C. Secure strain-relief clamp. (If wiring is through conduit, insert conduit through control box knockout and secure in place.)
 - D. DO NOT turn on power until completing instructions in "Final Inspection and Startup" on page 33.
9. **Do Not Plug Line Cord In, If In Used Condition.** Follow instructions in "Final Inspection and Startup" on page 33.

Installation - R23C/R23H

1. Verify existing wall thickness — distance from condenser coil to outdoor louver varies with sleeve depth.
 - Chassis includes standard air baffles to accommodate most common condenser coil to outdoor louver requirements
 - Optional condenser-side air baffle kit for chassis installation in deeper than standard walls is available from manufacturer.
 - Weather angles are fixed and need no adjustment.
2. Verify air supply alignment — slide unit into wall-sleeve. Supply duct on cooling chassis should line up with supply vent on room cabinet.
3. Install baffles — Slide unit back out of wall sleeve. Remove both supplied sets of baffles from kit bag. Install only one set of left and right side baffles on condenser coil by completing following steps:
 - A. Verify baffles come in contact with outdoor louver.
 - B. Verify baffles are directed inward toward center of coil. See Figure 30.
 - C. Secure baffles tightly into existing holes of condenser coil using screws provided.

NOTICE

Install correct condenser air baffles or performance may be impaired.

4. Apply 1/2" x 1/2" open-cell foam strips around supply air duct to ensure all conditioned air is delivered into room. See Figure 31. Failure to do so results in recirculation of conditioned air through cabinet causing unit to short cycle and coil to freeze.
5. Apply 1/2" x 1/2" x and 1/2" x 3/4" open-cell foam strips. Prevents outside air from entering around chassis to room from sides and top of cabinet.

Install strips between wall sleeve and cooling chassis. See Figure 32, page 26. Verify solid air seal between wall sleeve and chassis. Air leakage from outdoor to indoor will result in system problems (example — coils freezing, short cycling, and constant running of unit).
6. Connecting (optional) hydronic coil controls — If hydronic heat option has been ordered, hydronic coils will need to be field installed on new unit.
 - A. Hydronic coils are not factory installed and need to be ordered.
 - B. Coil with old unit can be located in subbase, under chassis in special attachment. It is necessary to know where coil is to be located and physical size of coil if ordered for replacement. New coil should be installed in same manner as coil it is replacing.
 - C. Remove 2-position connector assembly from kit bag supplied with unit (2 yellow wires attached).
 - D. Connect 2-position connector to 2-position connection located on bottom of control box panel.

Figure 29 - Direction Of Baffles And Foam Installation

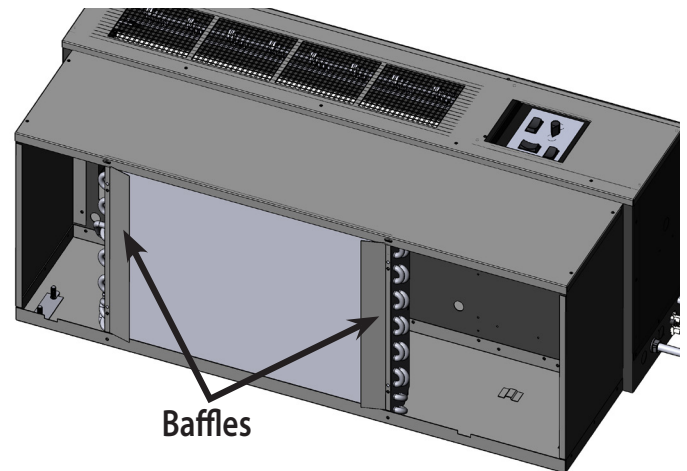


Figure 30 - Direction Of Baffles And Foam Installation

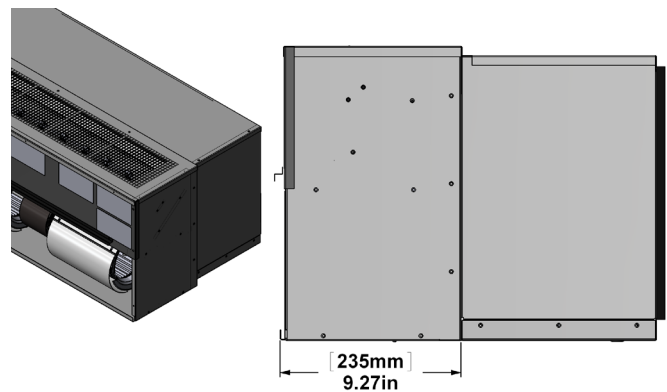


Figure 31 - Direction Of Baffles And Foam Installation

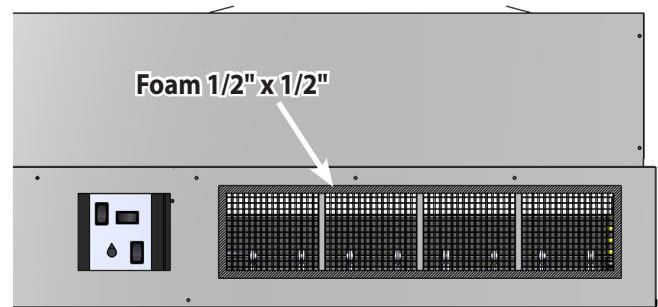
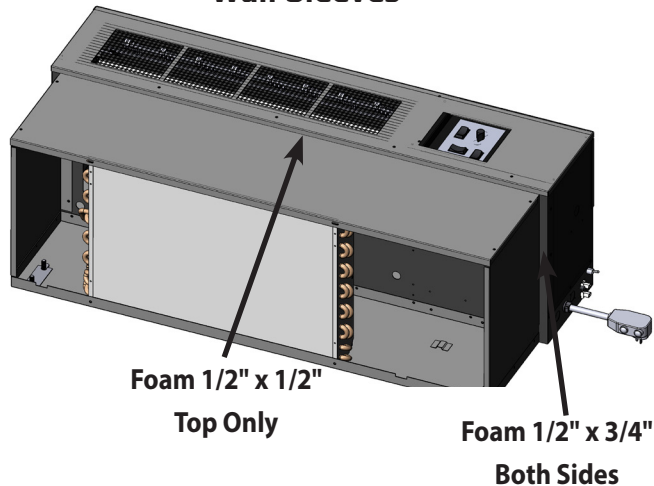


Figure 32 - Foam Tape Installation Against Wall Sleeves



- Remove 2-position connector assembly from kit bag supplied with unit (2 yellow wires attached).
- Connect 2-position connector to 2-position connection located on bottom of control box panel.

7. Field Install (Optional) Control

- Remove black jumper wire located on bottom panel of control box (*also terminated with 2-position connector*).
- Cut jumper wire in middle and splice Control to jumper.
- Place connector back into original location. Refer to wiring diagram on unit for details.

8. Secure Chassis

- Verify all seals are properly located,
- Correct baffles are attached to condenser coil, and properly orientated,
- Slide unit into final position and tighten tie down bolts or screws as necessary.

9. Hard-wired units — If unit is hard wired, follow instructions on pages 41-44 to verify existing wiring and over current protection.

- Remove line cord wires from PTAC/PTHP power entrance terminals.
- Route power supply wiring through strain-relief bushing and connect leads to power entrance terminals.
- Secure strain-relief clamp. (If wiring is through conduit, insert conduit through control box knockout and secure in place.)
- DO NOT** turn on power until completing instructions in "Final Inspection and Startup" on page 33.

10. Do Not Plug Line Cord In, If In Used Condition. Follow instructions in "Final Inspection and Startup" page 33.

Installation - R24C/R24H

1. Verify existing wall thickness — distance from condenser coil to outdoor louver varies with sleeve depth.
 - Chassis includes standard air baffles to accommodate most common condenser coil to outdoor louver requirements
 - Optional condenser-side air baffle kit for chassis installation in deeper than standard walls is available from manufacturer.
2. **Install duct collar and slide-duct**
 - A. Affix 1/4" x 3/4" foam tape to bottom flanges of duct collar. Serves as gasket between collar and unit).
 - B. Securely fasten duct collar over discharge opening with screws provided.
 - C. Insert slide-duct into duct collar. See Figure 6, page 10.
3. Verify air supply alignment — slide unit into wall-sleeve. Supply duct on cooling chassis should line up with supply vent on room cabinet.
 - Weather angles should need no adjustment.
4. Install baffles — Slide unit back out of wall sleeve. Remove both supplied sets of baffles from kit bag. Install only one set of left and right side baffles on condenser coil by completing following steps:
 - A. Verify baffles come in contact with outdoor louver.
 - B. Verify baffles are directed inward toward center of coil. See Figure 35.
 - C. Secure baffles tightly into existing holes of condenser coil using screws provided.

NOTICE

Install correct condenser air baffles or performance may be impaired.

5. Apply 1/2" x 3/4" open-cell foam strips around supply air duct collar to ensure all conditioned air is delivered into room. See Figure 35. Failure to do so results in recirculation of conditioned air through cabinet causing unit to short cycle and coil to freeze.
6. Apply 1/2" x 3/4" open-cell foam strips to weather angle. Prevents outside air from entering around chassis to room from sides and top of cabinet. Install strips between wall sleeve and cooling chassis. See Figure 36, page 28. Verify solid air seal between wall sleeve and chassis. Air leakage from outdoor to indoor will result in system problems (example — coils freezing, short cycling, and constant running of unit).
7. Connecting (optional) hydronic coil controls — If hydronic heat option has been ordered, hydronic coils will need to be field installed on new unit.
 - A. Hydronic coils are not factory installed and need to be ordered.

Figure 33 - Baffle Locations

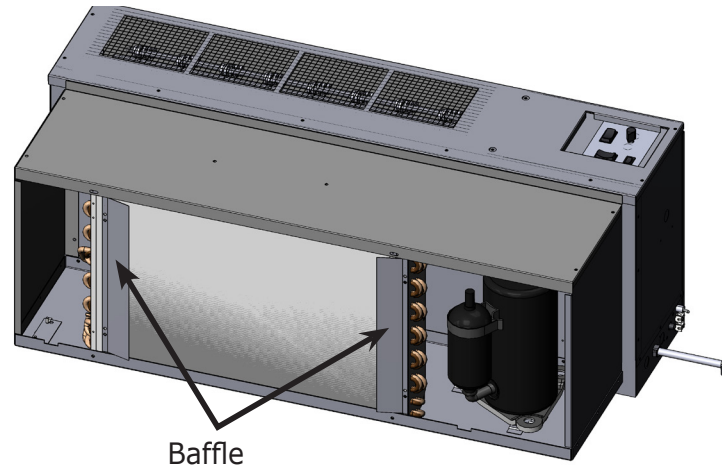


Figure 34 - Baffle Locations

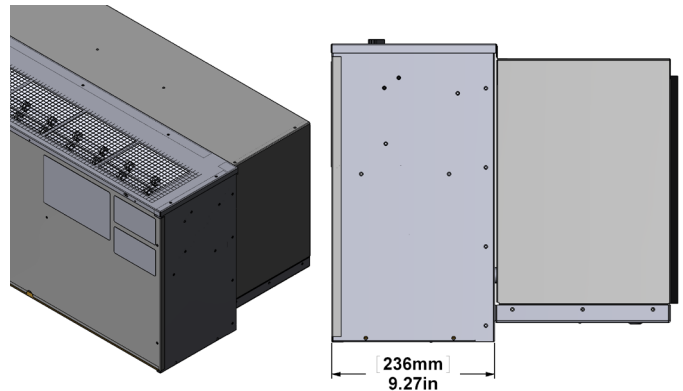


Figure 35 - Direction Of Baffles And Foam Installation

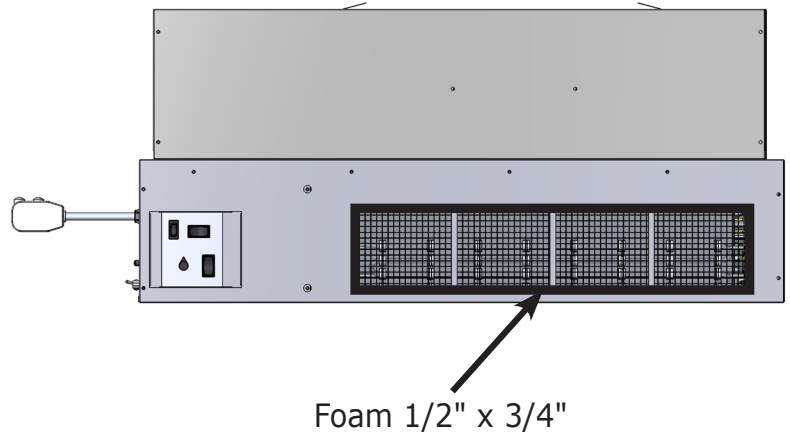
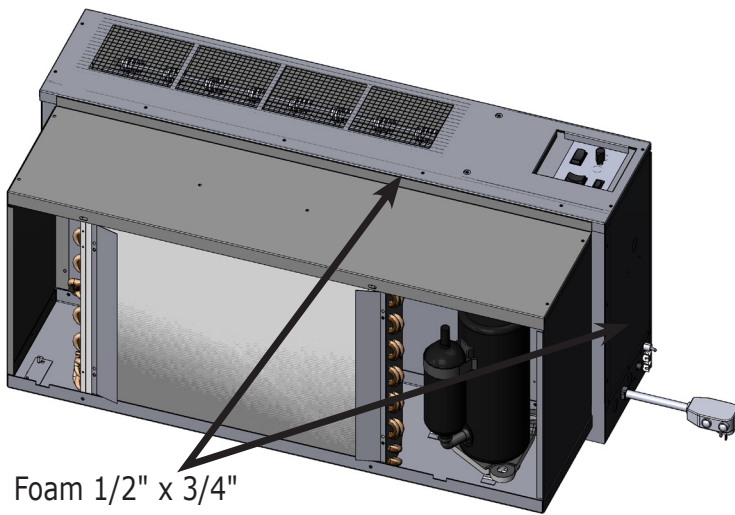


Figure 36 - Foam Tape Installation Against Wall Sleeves



- B. Coil with old unit can be located in subbase, under chassis in special attachment. It is necessary to know where coil is to be located and physical size of coil if ordered for replacement. New coil should be installed in same manner as coil it is replacing.
- C. Remove 2-position connector assembly from kit bag supplied with unit (2 yellow wires attached).
- D. Connect 2-position connector to 2-position connection located on bottom of control box panel.

8. Field Install (Optional) Control

- A. Remove black jumper wire located on bottom panel of control box (*also terminated with 2-position connector*).
- B. Cut jumper wire in middle and splice Control to jumper.
- C. Place connector back into original location. Refer to wiring diagram on unit for details.

9. Secure Chassis

- Verify all seals are properly located,
- correct baffles are attached to condenser coil, and properly orientated,
- slide unit into final position and tighten tie down bolts or screws as necessary.

10. Install control section

- A. Remove front cover of unit.
- B. Unit mount installation, take thermal bulb from control section and run capillary tube bulb along unit to blower section. (There will be no thermostat bulb if remote thermostat option is used.)
- C. Look at sides of blower housing, there are two clips supporting thermal bulb. Remove screws holding clips and slide thermal bulb into clips. Fasten clips back into place, making sure to not kink bulb.
- D. After thermostat is in place, mount control box in cabinet in same location as old control box, install front cover of unit finish installation.

11. Hard-wired units — If unit is hard wired, follow instructions on pages 41-44 to verify existing wiring and over current protection.

- A. Remove line cord wires from PTAC/PTHP power entrance terminals.
- B. Route power supply wiring through strain-relief bushing and connect leads to power entrance terminals.
- C. Secure strain-relief clamp. (If wiring is through conduit, insert conduit through control box knockout and secure in place.)
- D. **DO NOT** turn on power until completing instructions in "Final Inspection and Startup" page 33.

12. Do Not Plug Line Cord In, If In Used Condition.

Follow instructions in "Final Inspection and Startup" page 33.

SEQUENCE OF OPERATION

General

R__C units are straight cool, single stage air conditioners available with electric or hydronic heat.

R__H units are limited range, single stage heat pump. Mechanical compression heating (heat pump mode) is locked out at outdoor temperatures of approximately 35°F (1.7°C) and below. Below these ambient temperatures, auxiliary electric or hydronic heat will be used.

Microprocessor Control Board Thermostat and control connections are made to control board.

A. Two configuration jumpers are located on board, see Figure 37. Heat Pump Configuration Jumper is 3 pin jumper.

- Straight **Cool** units R__C, the jumper should be located on the outside two pins.
- **Heat Pump** units R__H, the jumper should be located on the inside two pins.

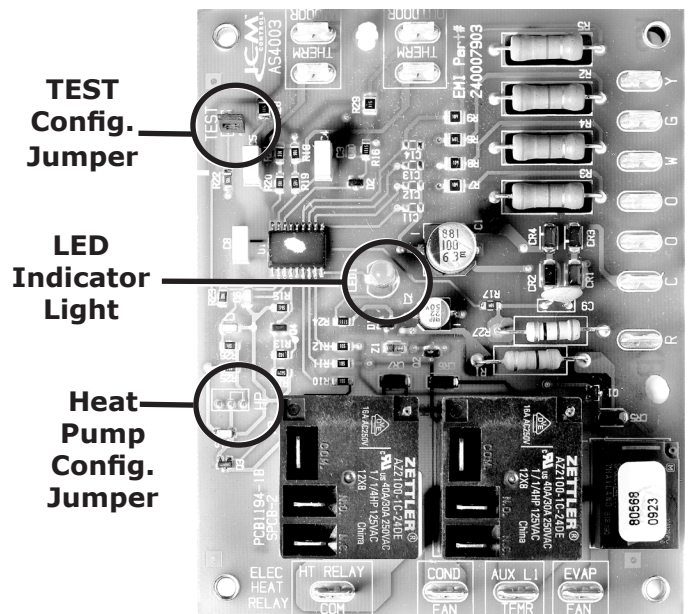
B. Second configuration jumper "TEST" allows for control's internal timers to be by-passed for test purposes. Placing jumper on two pins enables test mode.

C. Status LED (Light Emitting Diode)

- LED1 is located on center of board. Series of blinks communicates status of board. Between blink sequence is separation of approximately 2 seconds. Status Code is listed below.

Trouble Code (Blinks)	Status
1	Normal Operation
2	Anti-Short Cycle Timer Active
3	Outdoor Coil Freeze Protection
4	Indoor Coil Freeze Protection
5	Simultaneous "Y" and "W" Call

Figure 37 - Control Board



Initial Power-Up or Power Restoration

When power is applied to unit, either for first time or after power failure, board will initialize itself.

1. During initialization, LED1 will be lit continuously for approximately 5 seconds.
2. Following initialization, random start timer is initiated. Timer adds randomly selected 5-120 seconds to start-up sequence, reducing possibility of multiple units starting at same time.
3. Once random start timer has expired, 180 second Anti-Short Cycle Timer is initiated and Processor Board Trouble Code LED is set to blink 2 flash code. Timer prevents compressor from rapid cycling.
4. After Anti-Short Cycle Timer expires, Processor Board Trouble Code LED is set to blink 1 blink Trouble Code, indicating normal operation.

SEQUENCE OF OPERATION

R__C / R__H; Cooling Operation

(For unit mount controls)

1. System Switch [SS] set to "Cool", and Fan Cycle Switch [FCS] set to "On" (Continuous Fan Operation), indoor fan motor starts.
2. Fan Cycle Switch [FCS] set to "Off" (Cycling Fan Operation), indoor fan motor starts with call for cooling from internal thermostat [T'stat].
3. Units equipped with optional Motorized Fresh Air Damper, and active Fresh Air Switch [FAS], damper opens with call for indoor fan.
4. Room temperature below thermostat setting fan operation continues as noted above.
5. Room temperature above thermostat setting, reversing valve is energized, compressor and outdoor fan starts provided Anti-Short Cycle Timer has timed out from initial power-up, power restoration or previous compressor on cycle. Operation continues until room temperature satisfies thermostat.
6. Once room temperature falls below set point by 3°F (2°C), compressor, outdoor fan motor and reversing valve are de-energized.
7. FCS is set to "Off", indoor fan continues to operate for 60 seconds after compressor stops.
8. If FCS set to "On", indoor fan continues to operate.
9. As soon as compressor is de-energized, Anti-Short Cycle Timer is initialized and prevents compressor from starting again for another 180 seconds.
10. While Anti-Short Cycle Timer is active, Processor Board Trouble Code LED is set to blink 2 flash code.
11. After Anti-Short Cycle Timer expires, Processor Board Trouble Code LED is set to blink 1 blink Trouble Code, indicating normal operation.

NOTICE

Remote-Mount Cooling Operation depends on features of wall-mounted thermostat. By default fan will cycle with call for cooling.

For thermostats with **AUTO / ON** fan switch, fan runs continuously if this is "ON" (Continuous Fan Operation). Fan will cycle with call for cooling if this is set to "AUTO" (Cycling Fan Operation).

In cooling units will not start if indoor air temperature is 60°F (15.5 °C) or below or if outdoor temperature is below 40°F (4.5°C).

R__C / R__H; Heating Operation

1. System Switch [SS] set to "Heat", and Fan Cycle Switch [FCS] set to "On" (Continuous Fan Operation), indoor fan motor starts.
2. If Fan Cycle Switch [FCS] is set to "Off" (Cycling Fan Operation), indoor fan motor starts with call for heat from internal thermostat [T'stat].
3. Unit equipped with optional Motorized Fresh Air Damper, and is active with Fresh Air Switch [FAS], damper opens with call for indoor fan.
4. If room temperature is above thermostat setting fan operation continues as noted above.
5. If room temperature is below thermostat setting, action of unit depends on outdoor temperature and freeze sensor status.

NOTICE

Remote-Mount Heating Operation depends on features of wall-mounted thermostat. By default fan cycles with call for Heating.

For thermostats with AUTO / ON fan switch, fan runs continuously if this is "ON" (Continuous Fan Operation).

Fan cycles with call for heating if this is set to "AUTO" (Cycling Fan Operation).

• R__H; Mechanical Heating "Heat Pump"

1. Outdoor coil temperature remains above 25° F (-4°C), compressor and outdoor fan start provided Anti-Short Cycle Timer has timed out from initial power-up, power restoration or previous compressor on cycle. Operation continues until room temperature satisfies thermostat.
2. Once room temperature rises above set point by 3° F (2°C), compressor and outdoor fan motor will de-energize.
3. FCS set to "Off", indoor fan continues to operate for 60 seconds after compressor stops.
4. FCS set to "On", indoor fan continues to operate.
5. As soon as compressor is de-energized, Anti-Short Cycle Timer initializes and prevents compressor from starting again for another 180 seconds.
6. While Anti-Short Cycle Timer is active, Processor Board Trouble Code LED is set to blink 2 flash code.
7. After Anti-Short Cycle Timer expires, Processor Board Trouble Code LED is set to flash 1 blink Trouble Code, indicating normal operation.

SEQUENCE OF OPERATION

● **R__H; Auxiliary Heating “Electric” or “Hydronic”**

1. Outdoor coil temperature falls to 25° F (-4°C) or below for 180 seconds at anytime during heating call, compressor and outdoor fan motor are de-energized and auxiliary heat is energized.
2. Anti-Short Cycle Timer is initiated, prohibiting compressor operation for 180 seconds.
3. Processor Board Trouble Code LED flashes 3 blink Trouble Code, indicating auxiliary heat operation. Heating operation with auxiliary heat continues until outdoor coil sensor reaches 50° F (10°C).

● **“Electric Heat”**

1. System Switch [SS] set to “Heat”, and Fan Cycle Switch [FCS] set to “On” (Continuous Fan Operation), indoor fan motor will start.
2. Fan Cycle Switch [FCS] set to “Off” (Cycling Fan Operation), indoor fan motor starts with call for heating from internal thermostat [T’stat].
3. Unit equipped with optional Motorized Fresh Air Damper, and activated with Fresh Air Switch [FAS], damper opens with call for indoor fan.
4. Room temperature above thermostat setting fan operation continues as noted above.
5. Room temperature below thermostat setting, electric heater is energized until room temperature satisfies thermostat.
6. Once room temperature increases above set point by 3°F (2°C), electric heaters de-energize.

● **“Hydronic Heat”**

1. FCS set to “On” (Continuous Fan Operation) and unit has Control, indoor fan and fresh air motorized damper operation are controlled by Control.
2. Control senses temperature of 80 ± 5° F (26 ± 3°C) or below, indoor fan will shut down and motorized damper closes fresh air door.
3. With call for heat, signal from processor board activates water or steam valve.
4. Unit equipped with field installed Control [AS], indoor fan start is delayed until hydronic coil reaches 100 ± 5° F (38 ± 3°C).
5. Signal to water or steam valve continues until room temperature rises above set point by 3° F (2°C).
6. FCS set to “Off”, indoor fan continues to operate for 60 seconds or until hydronic coil temperature sensed by Control reaches 80 ± 5° F (26 ± 3°C), whichever occurs first.
7. FCS set to “On”, indoor fan de-energizes if Control senses temperature of 80 ± 5° F (26 ± 3°C) or below.

● **“Remote Wall Thermostat Controls”**

- A. Cooling and Heating operate identical to unit mount controls.
- B. See remote control manuals for control details.
- C. Remote units do not use system switch, or FCS.

Before Operating Unit

- ❑ Read and understand contents of this manual.
- ❑ Install unit per instructions outlined in this manual and all applicable local and national codes.
- ❑ Verify electrical supply matches electrical requirements of unit, and unit is properly grounded.
- ❑ Examine control box. Verify all wire connections are secure, and control board jumpers are in proper positions. See "Electrical Connections" Page 33.
- ❑ Verify chassis is properly fitted to wall sleeve and securely mounted to surrounding framing.
- ❑ Verify chassis is level:
 - Pour water into drain pan.
 - Verify water flows through drain hoses to condenser side of unit.
- ❑ Verify indoor blower wheels and outdoor fan blades are secured to their motor shafts, and rotate freely.
- ❑ Verify all sheet metal panels are in place and secure.
- ❑ Attach front panel to existing cabinet enclosure.
- ❑ Verify nothing interferes with room discharge air or return air of units. Examples:
 - Check for curtains or drapes that obstruct air flow. See Figures 38 and 39.
 - Check for plush carpeting that can obstruct return air.
 - Items like these can cause serious damage to chassis.

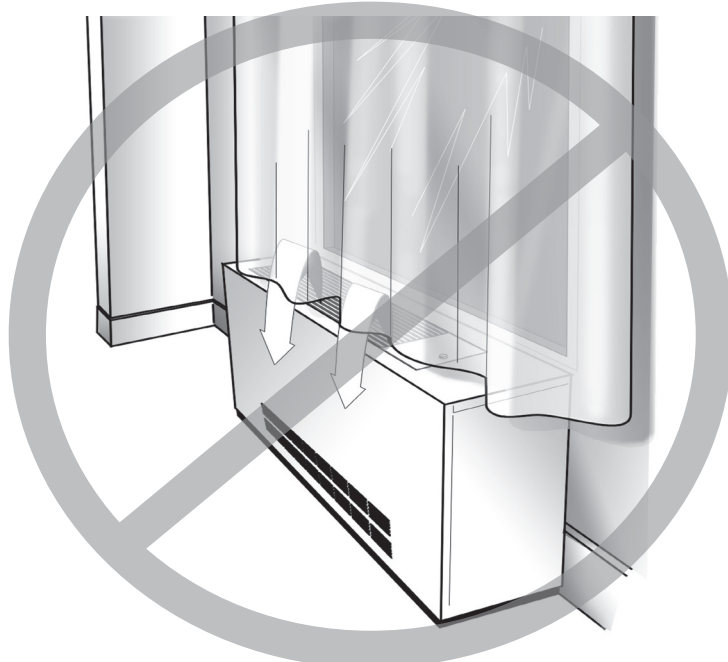
Any obstruction of supply air, including use of deflector baffles, may cause condensate to form on louver or cabinet (see Figure 38, page 31).

Figure 38 - Proper Air Flow Example



For optimum performance of your PTAC/PTHP, avoid restricting air flow. Position of curtains or drapes over supply air grille may cause air to recirculate without cooling room. Unit will short cycle and may cause premature compressor failure (see Figure 39, page 31).

Figure 39 - Restricted Air Flow Diagram



Electrical Connections

Installation and wiring shall be in accordance with requirements of authority having jurisdiction. In absence of such requirements refer to:

- USA- National Electrical Code, ANSI/NFPA 70.
- Canada - Canadian Electrical Code, Part I, CSA C22.1: Safety Standard for Electrical Installations.

Units Rated 208/230V:

- RetroAire unit is wired for 230v primary voltage from manufacturer.
- Transformer must be rewired by installer if job site voltage is 208v.
- Change transformer tap from orange to red. See wiring diagram for details. See Figures 7 thru 12 for location of wiring diagram.

Setting Control Board Jumpers

Control board has two sets of factory installed jumper pins: **HP** jumper and **TEST** jumper.

HP Jumper — selects heat pump or straight cooling.

Pins determine whether unit operates as straight cooling or as heat pump. See Figures 40 and 41.

- Jumper right pin to center pin for heat pump operation.
- Jumper left pin to center pin for straight cooling operation.

TEST Jumper — selects normal or test mode

NOTICE
Do not leave unit operating with TEST jumper in TEST position.

- Jumper is for testing only. See Figures 41 and 42 page 34.
- When jumper pins are jumped together, all timers are eliminated (*example — anti-short cycle, purge, etc.*).
- May be used for field testing. Units are factory set with jumper on only one pin (*normal operation position*).

Figure 40 - HP Jumper (selects heat pump or straight cooling)

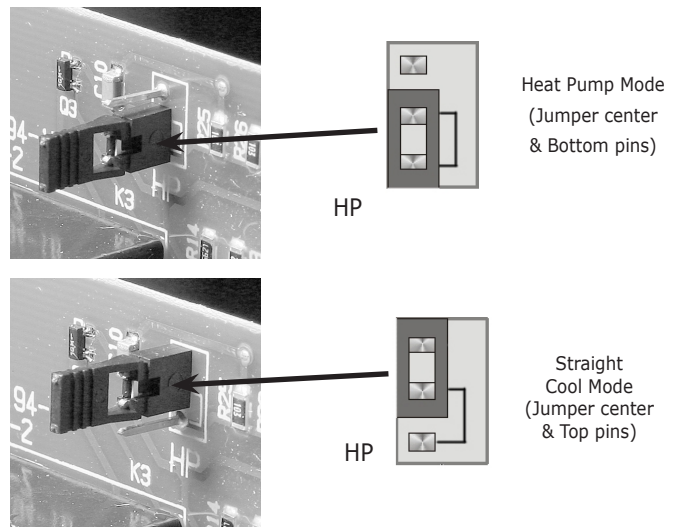


Figure 41 - TEST jumper (selects normal or test mode)

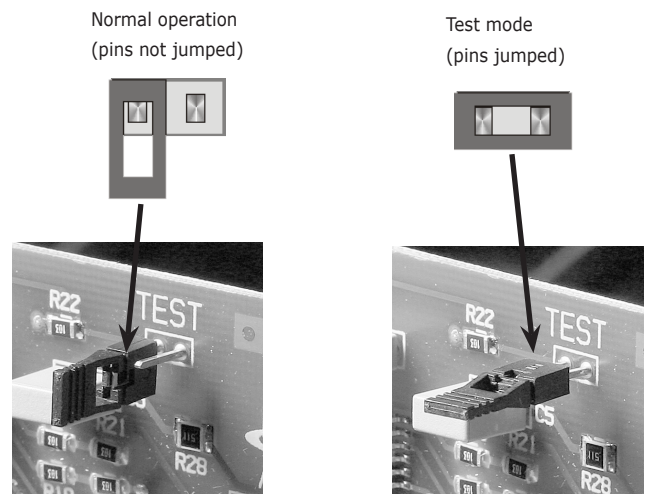
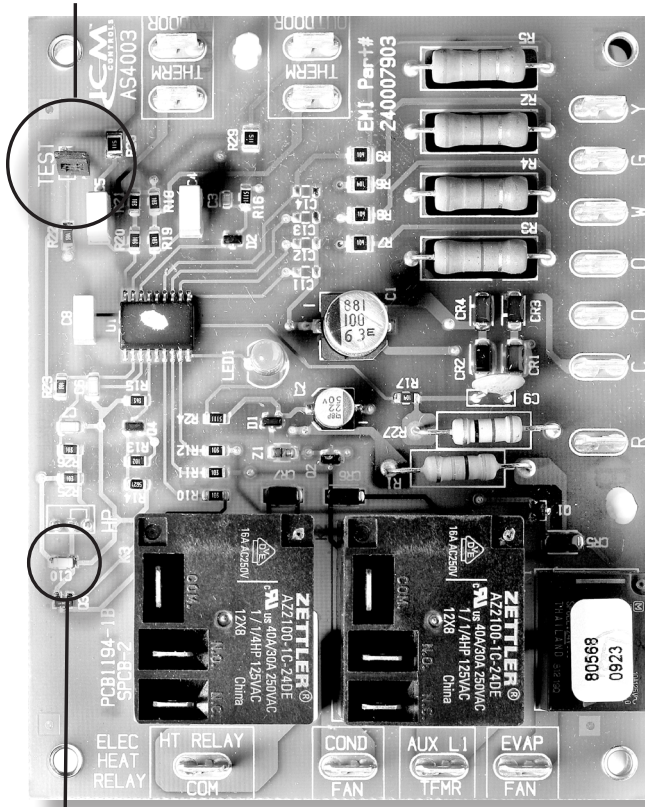


Figure 42 - Circuit board

TEST JUMPER



HEAT PUMP
JUMPER

Start Up

1. Verify unit is secure and level.
2. Heat pump units only — Verify thermostatic drain pan valve is operating correctly. Valve should be closed if temperature is above 60° F and open if below 60°F.
3. Test fresh air damper, if equipped, by setting damper door switch to "YES". Verify damper opens and allows fresh air to be moved into the space. Set damper door switch to "NO". Verify flow of air into the space has stopped. Fresh air is only available when indoor fan is operating.
4. Verify HP jumper is set correctly for unit type, cooling only or heat pump. See 402, page 33.
5. Set TEST jumper to test mode, this disables time delays, including anti-short-cycle and purge times. See Figure 41, page 345.
6. Verify unit is wired correctly, including requirements on page 33.
7. Connect Electric power to unit.
8. Turn unit on. Verify proper operation.
9. Verify condensate removal:
 - A. Pour water into base pan.
 - B. Place unit in cooling mode, with condenser fan operating, verify water is picked up by slinger ring and thrown onto outdoor coil.

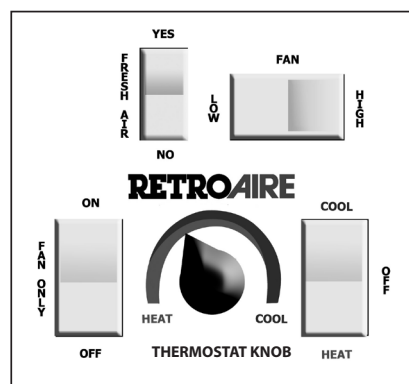
Compressor will not start until anti-short time period has elapsed.

On power-up, there are delays for control board initialization and random start timing. See Sequence of Operation Section, page 29.

Unit Mounted Thermostat

1. Use system switch to place PTAC/PTHP in COOL, HEAT, or OFF position. Test operation in all positions. See Figure 43.
2. Use fan speed switch to place fan in LOW or HIGH speed. Test operation in both positions for heating and cooling. See Figure 43.
3. Test operation of Fan Cycle switch, toggle switch on side of control box. Set switch to ON, continuous fan operation, or AUTO, cycling with thermostat, for both heating and cooling. Set switch in desired position.
4. Rotate thermostat knob left to increase setpoint temperature, or right to decrease.
 - Turning unit-mounted thermostat knob to far left produces the warmest room temperature.
 - Turning thermostat knob all the way to the right produce coolest room temperature.
 - Setting can be adjusted for personal comfort. See Figure 43.

Figure 43 - Typical Representation - Unit Mount Control



Do not rotate thermostat knob back and forth from heating to cooling.

This causes compressor to cycle on and off rapidly and will cause damage to the compressor.

Allow compressor to remain off for at least three minutes prior to restarting the unit.

Remote Mounted Thermostat

1. Use thermostat to place PTAC/PTHP in COOL, HEAT, or OFF position. Test operation in all positions.
2. If thermostat is fitted with fan switch, set as desired places the fan in either ON, OFF, or AUTO. Test operation in all positions.
3. Check thermostat calibration for both heating and cooling operation.

Straight Cooling PTAC's

Important Information

- Room temperature must be above 65°F (18°C) for compressor to operate in cooling mode on PTAC's with unit-mounted controllers.
- Room temperature must be below 85°F (29.4°C) to energize the heater on PTAC's with unit-mounted controllers.
- Room temperature must be below 85°F (29°C) for hydronic heater to operate on PTAC's with unit-mounted controllers.
Hydronic valve is 24 Vac normally open valve. Should power be interrupted, valve will default to open position.
- When unit is first powered up, high humidity conditions may cause condensation to form on discharge grill. Keep doors and windows closed to reduce humidity allowing condensation to evaporate.

Cooling Cycle

1. Place thermostat or system switch in **COOL** position.
2. Adjust thermostat to cooler temperature until indoor fan starts running. Compressor and outdoor fan will turn on and cold air will begin to flow from unit. Allow unit to continue operating to cool the room and remove humidity.
3. After unit starts and space gets cooler, adjust thermostat to warmer temperature until compressor cycles off.
4. If a colder room temperature is desired, adjust thermostat to cooler temperature setting, turn compressor and both fans back on.
5. If a warmer room temperature is desired, adjust thermostat to warmer temperature setting. Compressor and outdoor fan stop, indoor fan switches off after sixty-second purge time has elapsed.
6. Place thermostat or system switch in **OFF** position. All operation will stop.

Heating Cycle — Electric Option

1. Outdoor fan does not run during heating cycle.
2. Place thermostat or system switch in **HEAT** position.
3. Adjust thermostat for warmer temperature until indoor fan starts running and electric heater coil starts emitting heat.
4. After unit starts running and space gets warmer, adjust thermostat to cooler temperature until electric heater turns off.
5. If warmer room temperature is desired, adjust thermostat to warmer temperature setting, which will turn electric heater on.
6. If cooler room temperature is desired, adjust thermostat to cooler temperature setting until electric heater turns off. Indoor fan will switch off after sixty-second purge time has elapsed.
7. Place thermostat or system switch in **OFF** position. All operation will stop.

Heating Cycle — Hydronic Option

Before Starting The unit:

- Verify motor valve is rated for correct voltage.
- Most RetroAire units with unit mount controls will power a hydronic valve that is the same voltage as the unit (ex: a unit rated 208/230v will power a 208/230v).
- Switch is provided on control box to change from NO to NC.
- Verify wiring using wiring diagram, located on the unit, and voltage application for the specific unit.
- Other valve configurations and voltage options are available. Consult Technical Service if unit voltage does not match your valve application.

Starting the unit:

1. Place thermostat or system switch in **HEAT** position.
2. Adjust thermostat to warmer temperature.
3. A signal from processor board will activate the water or steam valve.
4. The motorized valve will open and allow hot water or steam to run through the coil.
5. Indoor fans run, blowing air through the hydronic coil
6. If the unit is equipped with an Aquastat, the indoor fan and motorized damper operation are delayed until the hydronic coil reaches 100 ± 5°F (38 ± 3°C).
7. The signal to water or steam valve continues until room temperature rises above setpoint by 3°F (2°C).
8. Once the area gets warmer, adjust thermostat to a cooler temperature. The hydronic valve closes and indoor fan switches off after sixty-second purge time has elapsed.
9. If warmer room temperature is desired, adjust thermostat to warmer temperature setting, which opens the hydronic valve and turns on the indoor fan.
10. If cooler room temperature is desired, adjust thermostat to cooler temperature setting. Hydronic valve closes and indoor fan switches off after sixty-second purge time has elapsed.
11. Place thermostat or system switch in **OFF** position. All operation stops.

Testing Completion For Cooling-Only PTAC's

Operation testing is now complete.

If TEST jumper was set to test mode verify it is set back to normal operation. See Figure 41, page 33.

NOTICE

Do not leave unit operating with TEST jumper in TEST position.

Heat Pump PTHP's

Unit is equipped with reversing valve, energized for cooling and de-energized in heating mode.

Cooling Cycle – Heat Pump Units

1. Place thermostat or system switch in **COOL** position.
2. Adjust thermostat to cooler temperature until indoor fan starts running. Compressor and outdoor fan will turn on and cold air begins to flow from the unit. Let unit continue operating to cool the room and remove humidity.
3. After the space gets cooler, adjust thermostat to warmer temperature until compressor cycles off.
4. If colder room temperature is desired, adjust thermostat to cooler temperature setting, turning compressor and both fans back on.
5. If warmer room temperature setting is desired, adjust thermostat to warmer temperature. Cooling mode ceases and compressor and outdoor fan stop. Indoor fan will switch off after sixty-second purge time has elapsed.
6. Place thermostat or system switch in **OFF** position. All operation stops.

Heating Operation - Heat Pump Units – Outdoor Temperature Above 40°F (4°C)

Heat pump units are "Limited Range" equipped with back-up electric resistance heat. Limited Range heat pumps are designed to operate when outdoor temperatures are between 70°F (21°C) and 40°F (4°C) and with maximum indoor temperature of 85°F (29°C).

When outdoor temperature falls below approximately 40°F (4°C) unit will switch from heat pump to electric resistance heat, or hydronic heat if optionally added.

Electric heat or hydronic heat will then remain as the heat source until the outdoor temperatures rise above 50°F (10°C).

RetroAire heat pumps (R__H) are single-stage heating units. Electric heat and heat pump will NOT operate simultaneously.

Room temperature must be below 85°F (29°C) for compressor to operate in heating mode on PTHP's with unit-mounted controllers.

1. Place thermostat or system switch in **HEAT** position.
2. Adjust thermostat to warmer temperature setting until indoor fan starts running. Compressor and outdoor fan will turn on and warm air will begin to flow from unit.
3. After space gets warmer, adjust thermostat to cooler temperature until compressor cycles off.
4. For warmer room temperature, adjust thermostat to warmer temperature setting, turning indoor, outdoor fans and compressor back on.

5. If cooler room temperature is desired, adjust thermostat to cooler temperature setting. Heating mode stops and compressor and outdoor fan stop. Indoor fan will switch off after sixty-second purge time has elapsed.
6. Place thermostat or system switch in **OFF** position. All operation stops.

Auxiliary Heating Operation – Heat Pump Units – Outdoor Temperature Below 40°F (4°C) – Electric Option

Room temperature must be below 85°F(29°C) to energize heater on PTHP's with unit-mounted controllers.

1. Place thermostat or system switch in **HEAT** position.
2. Adjust thermostat to warmer temperature until indoor fans start running and electric coil starts emitting heat.
3. After space gets warmer, adjust thermostat to cooler temperature until electric heater turns off.
4. If warmer room temperature is desired, adjust thermostat to warmer temperature setting, which will turn electric heater back on.
5. If cooler room temperature is desired, adjust thermostat to cooler temperature setting until electric heater turns off. Indoor fan will switch off after sixty-second purge time has elapsed.
6. Place thermostat or system switch in **OFF** position. All operation stops.

Electric Heat Models

Manually reset limit switch if the limit switch opens and de-energizes the electric heat.

To reset switch:

- Turn power off
- Remove control box cover.
- Locate limit switch.
- Push reset button in, located on the face of the switch.

Auxiliary Heating Operation — Heat Pump Units — Outdoor Temperature Below 40°F (4°C) — Hydronic Option

Room temperature must be below 85°F (29°C) for hydronic heater to operate on PTHP's with unit-mounted controllers.

Hydronic valve is 24Vac normally open valve. Should power be lost to the unit, the valve will default to open position.

1. Place thermostat or system switch in **HEAT** position.
2. Adjust thermostat to warmer temperature.
The following occurs:
 - Signal from processor board activates water or steam valve.
 - Motorized valve opens and allows hot water or steam to run through coil.
 - Indoor fans run, blowing air through hydronic coil
 - If unit is equipped with an Aquastat, indoor fan and motorized damper operation is delayed until hydronic coil reaches 100 ± 5°F (38 ± 3°C).
 - The signal to the water or steam valve will continue until the room temperature rises above the setpoint by 3°F (2°C).
 - After space gets warmer, hydronic valve will close and indoor fan will switch off after sixty-second purge time has elapsed.
3. After space gets warmer, adjust thermostat to cooler temperature setting, hydronic valve will close and indoor fan will switch off after sixty-second purge time has elapsed.
4. If warmer room temperature is desired, adjust thermostat to a warmer temperature setting, which will open hydronic valve and turn on the indoor fan.
5. If cooler room temperature is desired, adjust thermostat to cooler temperature setting. Hydronic valve will close and indoor fan will switch off after sixty-second purge time has elapsed.
6. Place the thermostat or system switch in the **OFF** position. All operation stops.

Testing Completion For Heat Pumps

Operation testing is complete.

If TEST jumper was set to test mode verify it is set back to normal operation. See Figure 41, page 33.

⚠ **WARNING**

Electrical shock hazard. Disconnect power to unit before servicing or accessing control compartment. Failure to do follow these instructions could result in death or serious injury.

NOTICE

Perform regular service and maintenance by qualified service agency at least once every 12 months to assure safe, trouble free operation and maximum efficiency.

NOTICE

Verify proper operation after servicing.

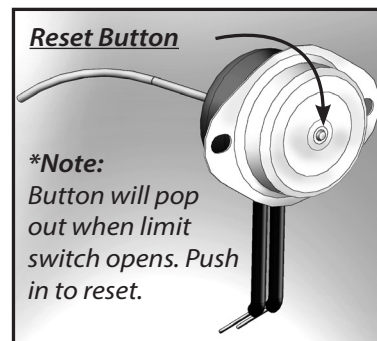
Maintenance Schedule

Manufacturer recommends performing following inspections and maintenance on monthly basis. Units installed in harsh or dirty environments will require more frequent inspections and maintenance.

Disconnect power to unit and remove necessary access panels:

- Clean or replace indoor air filter.
- Inspect chassis interior for rodent or insect infestation. Clean if necessary.
- Clean & flush condensate drain pan and chassis base pan.
- If applicable, verify condensate drain is functioning properly.
- Inspect refrigeration tubing, especially braze joints, for signs of refrigerant leaks (oil residue). Repair if necessary.
- Inspect indoor and outdoor coils. Verify dirt or debris have not collected on fins. Clean if necessary. Take care not to damage coil fins when cleaning. Use fin comb to straighten any bent fins.
- Examine control box. Verify all wire connections are secure.
- Verify indoor blower wheels and outdoor fan blades are secured to their motor shafts.
- Verify dirt or debris have not collected on indoor blower wheels and outdoor fan blades. Use vacuum and soft brush to clean if necessary.
- Verify any ductwork connected to unit is secure and free of air leaks.
- ELECTRIC HEAT MODELS** — in event the limit switch opens and de-energizes the electric heat, limit switch will need to be manually reset. To reset switch:
 - Remove the control box cover.
 - Locate the limit switch.
 - Push in the reset button on the face of the switch.

Figure 44 - Manual Reset Limit Switch



Seasonal Start-Up And Maintenance

Beginning of cooling and heating seasons, complete mechanical check should be performed and maintenance/inspections performed as described below.

Disconnect power to unit and remove necessary access panels:

1. Remove access panel. Visually inspect equipment. Look for obvious changes in unit such as damaged coils or evidence of extended wear on any moving parts.
2. Check for unusual odors or leaks (examples: burnt motor windings, water, or refrigerant). Verify base pan is clean.
3. Clean or replace return air filter as needed. Check filter at least once month. Some environments may require more frequent replacement, depending on particulate in air stream.
4. Inspect all electrical connections for frayed wires and poor connections.
5. Check fan motors and blower assemblies. Verify screws and motor mounting hardware are tight.
6. Centrifugal fan blades and blower cage brush and/or vacuum as necessary.
7. Inspect both indoor and outdoor coils. Use fin comb to straighten out any damaged fins.

NOTICE

Do not use solvent based cleaner to clean coils, some solvents will produce noxious odor when unit is in operation or may deteriorate components.

8. Look for oil leaks or stains on or around all braze joints and refrigerant lines. Presence of oil here indicates potentially serious problem, such as refrigerant leak.
9. Inspect and clean drain pan and drain line(s). Use of anti-fungicide tablet to keep condensate system free from bacterial contaminants is recommended.
10. Verify unit is level for proper operation. Building and equipment may settle, causing shift in direction of condensate flow. Verify weep holes along rear flange of base pan are free of debris.

11. Air leaks may make the conditioned area uncomfortably drafty or produce noises. Visually inspect foam gasket between wall and unit, taking note of separation between air inlet for condenser and condenser coil discharge. These two areas must be sealed off from each other. If you experience poor cooling operation or erratic operation, check for air recirculation at condenser coil.
12. Replace access panels and reconnect electrical power.

Heat Pump Units – Temporary Emergency Heating Mode

Heat pump failure, control board can be forced into electric heat mode.

This is temporary solution until heat pump system can be repaired.

1. Locate circuit board in control section of the unit.
2. Locate terminals where outdoor sensor connects to the circuit board.
3. Using small needle nose type pliers, disconnect one side of sensor from circuit board. A 2-stage thermostat will provide Emergency heat.
4. This will appear to circuit board as outdoor coil freeze condition energizing the electric resistance heater on call for heat.
5. See "Manual Reset Limit Switch" for resetting limit switch if needed.

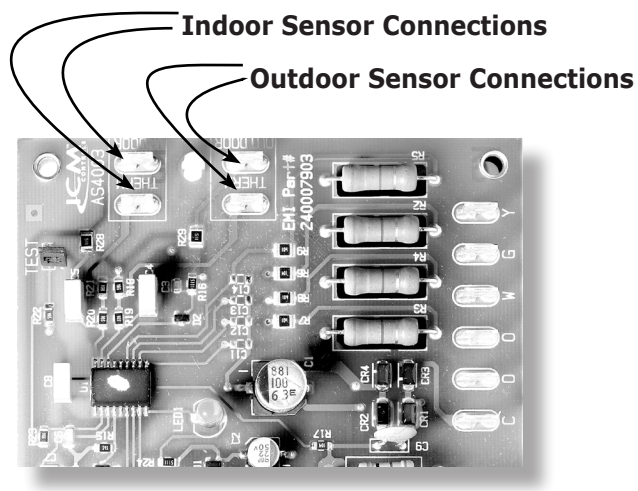
Troubleshooting Sensors

1. See Figure 45 for location of sensor connections to control board.
2. If temperature response of indoor or outdoor sensor is not correct, disconnect sensor from control board and verify sensor resistance. Replace sensor if its resistance is not close to values in the table below.

Table 4 - Sensor Resistance Values

	Resistance, KOhms
77 (25°C)	10.0 K
50 (10°C)	19.9 K
35 (1.6°C)	30.0 K
30 (-1.1°C)	34.4 K

Figure 45 - Control Board Sensor Connections



TROUBLESHOOTING

WARNING

Electrical shock hazard. Disconnect power to unit before servicing or accessing control compartment. Failure To follow these instructions could result in death or serious injury.

NOTICE

Have qualified technician conduct troubleshooting procedures.

Symptom	Suggestion
No heat or cooling	<ul style="list-style-type: none"> • Verify unit has power and thermostat is satisfied. If thermostat is not satisfied, call your installing contractor or service contractor.
Thermostat calls for cooling, no cool air is coming from unit.	<ul style="list-style-type: none"> • Verify continuity between thermostat and unit. Verify 24 Vac is present across terminals C and R. • Check outdoor coil for dirt debris, remove any foreign material. Locate high pressure switch reset button and push button. • Some units are equipped with LCDI (Leakage Current Detection Interrupt) line cord. Verify line cord is reset by pressing reset button at line cord plug. <p>Note: If evaporator fan is operational and above suggested procedures have been followed, and there is no cooling being supplied by unit, contact trained heating and cooling professional.</p>
Light on circuit board is blinking.	<p>Circuit board uses light for diagnostic purposes. Code determination:</p> <ul style="list-style-type: none"> 1 blink = normal operation 2 blinks = compressor lockout (ASCT – Anti-Short Cycle Timer) 3 blinks = outdoor freeze condition 4 blinks = indoor freeze condition 5 blinks = simultaneous Y and W call (Straight cooling units only)
Circuit board light is blinking 3 or 4 times, there is no freeze condition. (See Table 13, page 38)	<ul style="list-style-type: none"> • Verify sensors have not been damaged. • Remove sensor wires from control board and take resistance measurements, compare to following sensor resistances. Indoor and outdoor coil sensor wires and control board are labelled. • Verify sensors are correctly wired. <p>77°F = 10KOhms 50°F = 19.9KOhms 35°F = 30KOhms 30°F = 34.4KOhms</p>
Thermostat is satisfied, fan is still running.	<ul style="list-style-type: none"> • Thermostat set to Auto mode, once thermostat is satisfied, fan stays energized for extra 60 seconds to purge unit of excess cool or warm air in plenum. • If thermostat fan switch is set to ON, fan stays energized regardless of thermostat being satisfied or not. To turn fan off turn unit off or turn thermostat fan switch to AUTO.
Thermostat calls for heat, no heat comes from unit.	<p>Units equipped with electric heaters have temperature limit switch to prevent electric heater from reaching unsafe temperatures. After calling for heat, heater is not energized, check for continuity across limit. If limit is open, replace with equivalent limit switch. Auto reset / Manual reset Switch (Requires trained professional)</p>
Thermostat calls for heat while in heat pump mode, heated air is not coming from unit.	<ul style="list-style-type: none"> • Verify unit has power or thermostat has been satisfied. If unit has power and thermostat is satisfied, turn thermostat few degrees above room temperature. • Verify LCDI line cord has not tripped. • Verify thermostat while in heat pump mode is not energizing O terminal. RetroAire units are designed to work in heat pump mode when 24vac is present across Y and C. • Verify heat pump jumper on control board is jumping two pins labeled "HP". See control board jumper locations, Figure 42, page 34. • Verify there are no freeze conditions. See "Circuit board light is blinking" above for more information.

ELECTRICAL SPECIFICATIONS

Table 5 R11, R21, R22, R23, R24 - 9,000 BTU Electrical Specifications

Power Supply Volt 1-60		Compressor		Indoor Fan Motor		Outdoor Fan Motor		Electric Heat				Unit Electrical Ratings				
Volt	Min	RLA	LRA	FLA	Hp	FLA	Hp	Htr #	Volt	W	HA	TCA	THA	MCA	MOCP	Plug
*115V	104	7.5	47	1.4	0.09	1.4	0.125	N/A	N/A	N/A	N/A	10.5	N/A	12.4	15	5-15P
**115V	104	8.0	45.6	1.4	0.09	1.6	0.125	N/A	N/A	N/A	N/A	11	N/A	13.0	20	5-15P
**208/230V	197	4.0	22.2	0.6	0.08	0.71	0.09	0	N/A	N/A	N/A	5.3	N/A	6.3	15	6-15P
*208/230V	197	3.9	20	0.6	0.08	0.71	0.09	0	N/A	N/A	N/A	5.2	N/A	6.2	15	6-15P
								2	208	1636	7.9		8.5	10.4	15	6-15P
									230	2000	8.7		9.3	11.5		
								3	208	2454	11.8		12.4	15.3	20	6-20P
									230	3000	13		13.6	16.9		
								4	208	3271	15.7		16.3	20.3	25	6-30P
									230	4000	17.4		18	22.3		
								5	208	4089	19.7		20.3	25.2	30	6-30P
									230	5000	21.7		22.3	27.8		
								265V	240	3.32	18.8		0.67	0.08	0.71	0.09
2	265	2655	10	10.7	13.2	15	7-20P									
3	265	3983	15	15.7	19.5	20										
4	265	5310	20	20.7	25.7	30	7-30P									
5	N/A	N/A	N/A	N/A	N/A	N/A	N/A									

Table 6 R11, R12, R21, R22, R23, R24 - 12,000 BTU Electrical Specifications

Power Supply Volt 1-60		Compressor		Indoor Fan Motor		Outdoor Fan Motor		Electric Heat				Unit Electrical Ratings				
Volt	Min	RLA	LRA	FLA	Hp	FLA	Hp	Htr #	Volt	W	HA	TCA	THA	MCA	MOCP	Plug
*115V	104	10.8	53	1.4	0.09	1.6	0.125	0	N/A	N/A	N/A	13.8	N/A	16.5	25	5-20P
**115V	104	12.7	63	1.4	0.09	1.25	0.125	0	N/A	N/A	N/A	15.4	N/A	18.5	30	5-20P
208/230V	197	5.6	29	0.6	0.08	0.71	0.09	0	N/A	N/A	N/A	6.9	N/A	8.3	15	6-15P
								2	208	1636	7.9		8.5	10.4	15	6-15P
									230	2000	8.7		9.3	11.5		
								3	208	2454	11.8		12.4	15.3	20	6-20P
									230	3000	13		13.6	16.9		
								4	208	3271	15.7		16.3	20.3	25	6-30P
									230	4000	17.4		18	22.3		
								5	208	4089	19.7		20.3	25.2	30	6-30P
									230	5000	21.7		22.3	27.8		
								265V	240	4.6	20		0.67	0.08	0.71	0.09
2	265	2655	10	10.7	13.2											
3	265	3983	15	15.7	19.5	20										
4	265	5310	20	20.7	25.7	30	7-30P									
5	N/A	N/A	N/A	N/A	N/A	N/A	N/A									

* Toshiba Compressors

** Tecumseh Compressors

ELECTRICAL SPECIFICATIONS

Table 7 R11,R12, R21, R22, R23, R24 - 15,000 BTU Electrical Specifications














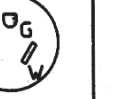
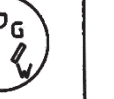

Power Supply Volt 1-60		Compressor		Indoor Fan Motor		Outdoor Fan Motor		Electric Heat				Unit Electrical Ratings				
Volt	Min	RLA	LRA	FLA	Hp	FLA	Hp	Htr #	Volt	W	HA	TCA	THA	MCA	MOCP	Plug
208/230V	197	7.4	33	0.6	0.08	0.71	0.09	0	N/A	N/A	N/A	8.7	N/A	10.6	15	6-15P
								2	208	1636	7.9		8.5	10.4	15	6-15P
									230	2000	8.7		9.3	11.5		
								3	208	2454	11.8		12.4	15.3	20	6-20P
									230	3000	13		13.6	16.9		
								4	208	3271	15.7		16.3	20.3	25	6-30P
									230	4000	17.4		18	22.3		
								5	208	4089	19.7		20.3	25.2	30	6-30P
									230	5000	21.7		22.3	27.8		
								265V	240	6	28		0.67	0.08	0.71	0.09
2	265	2655	10	10.7	13.2											
3	265	3983	15	15.7	19.5	20										
4	265	5310	20	20.7	25.7	30	7-30P									
5	N/A	N/A	N/A	N/A	N/A	N/A	N/A									

Table 8 R11, R21, R22, R23, R24 - 18,000 BTU Electrical Specifications

Power Supply Volt 1-60		Compressor		Indoor Fan Motor		Outdoor Fan Motor		Electric Heat				Unit Electrical Ratings				
Volt	Min	RLA	LRA	FLA	Hp	FLA	Hp	Htr #	Volt	W	HA	TCA	THA	MCA	MOCP	Plug
208/230V	197	8.3	44	0.6	0.08	0.71	0.09	0	N/A	N/A	N/A	9.6	N/A	11.7	15	6-15P
								2	208	1636	7.9		8.5	10.4	15	6-15P
									230	2000	8.7		9.3	11.5		
								3	208	2454	11.8		12.4	15.3	20	6-20P
									230	3000	13		13.6	16.9		
								4	208	3271	15.7		16.3	20.3	25	6-30P
									230	4000	17.4		18	22.3		
								5	208	4089	19.7		20.3	25.2	30	6-30P
									230	5000	21.7		22.3	27.8		
								265V	240	N/A	N/A		N/A	N/A	N/A	N/A
2	265	2655	10	10.7	13.2	15	7-20P									
3	265	3983	15	15.7	19.5	20										
4	265	5310	20	20.7	25.7	30	7-30P									
5	N/A	N/A	N/A	N/A	N/A	N/A	N/A									

ELECTRICAL SPECIFICATIONS

Table 9 Electrical Plug (Rating)

VOLTAGE	125V		250V			265V		
	15(A)	20(A)	15(A)	20(A)	30(A)	15(A)	20(A)	30(A)
PLUG	 5-15 P	 5-20 P	 6-15 P	 6-20 P	 6-30 P	 7-15 P	 7-20 P	 7-30 P
RECEPTACLE	 5-15 R	 5-20 R	 6-15 R	 6-20 R	 6-30 R	 7-15 R	 7-20 R	 7-30 R

RETROAIRE™

LIMITED PRODUCT WARRANTY

RetroAire offers to the original purchaser/owner that under normal use and maintenance for comfort cooling and conditioning applications, all **RetroAire** equipment will be free from defects in material and workmanship for a period of 12 months from the documented date of original installation or 18 months from the date of manufacture, if the documented date of original installation is not available. Unit compressors shall be free from defects in materials and workmanship under normal use and maintenance for a period 60 months from the documented date of original installation or 66 months from the date of manufacture, if the documented date of original installation is not available.

WHAT RETROAIRE WILL WARRANT:

ECR will provide a replacement for or, at the discretion of **RetroAire**, repair any functional component that proves to be defective in material or workmanship, under normal maintenance and operating conditions, within the prescribed warranty period. Said parts will be supplied via standard shipping; billed and then credited back, when the defective component is returned, at the sole discretion of **RetroAire**. However, the replacement cost shall NOT include labor or service costs to diagnose, remove, or install a warranty part, or return of defective materials, at the sole discretion of **RetroAire**.

WHAT RETROAIRE WILL NOT WARRANT:

Damages to or arising from: misapplication, improper installation or service; components not supplied or approved by **RetroAire**, including, without limitation, cabinetry, wall sleeves, louvers, internal components, equipment, or controls supplied by others; and lack of preventative maintenance such as, but not limited to, replacing air filters, general cleaning, clearing condensate drains, air flow adjustments; products manufactured or distributed by **RetroAire** but installed outside the United States and Canada; unauthorized alteration, application or improper operation; excessively corrosive installation environments; equipment usage during construction; shipping or handling.

RETROAIRE IS ALSO NOT RESPONSIBLE FOR:

Damages caused by faulty or interrupted power supply or electrical service; Damages caused by acts of God including, but not limited to, wind, hail, floods, lightning, earthquakes or other conditions beyond the control of **RetroAire**.

FURTHER LIMITATIONS:

All implied warranties of merchantability and/or fitness for any particular purpose are limited in duration to the period of the limited warranty. The rights and remedies provided herein are exclusive and constitute the entire contract. This limited warranty and any optional extended warranties are granted only to the original owner/user. This warranty becomes null and void if payment for the goods or product is in default. Warranty remedies may be withheld if the customer account is in arrears or default.

In no event shall RetroAire be liable (whether for breach of this limited warranty or contract, for strict liability for negligence, or otherwise), for any special, incidental, punitive or consequential damages, including, without limitation, damages for loss of profits, loss of goodwill, loss of time or convenience, loss of use of the product, the cost of a product rental, costs of gasoline, electricity, telephone, travel or lodging, or the loss of personal or commercial property, whether or not RetroAire has been advised of the possibility of any such damages.

In no event shall RetroAire's obligations under this limited warranty exceed the purchase price of the product.

Any repairs performed under this limited warranty shall not in any way extend the statute of limitations for claims under this limited warranty.

No agent, representative or distributor of RetroAire has any authority to alter the terms of this limited warranty in any way.

For Service or Repair:

- 1) Contact the installing contractor
- 2) Call the nearest RetroAire sales rep/distributor
- 3) Call, E-Mail or write:

RetroAire, c/o ECR International, Inc., 2201 Dwyer Avenue, Utica, NY 13501, Ph: 1-800-325-5479
Fax: 1-866-432-7329, E-Mail: info@RetroAire.com, Web: www.RetroAire.com.

RETROAIRE™

The Right Fit for Comfort



ECR International, Inc.

2201 Dwyer Avenue • Utica, New York 13501

Phone: 1.800.325.5279 • Web: retroaire.com
